

Air operated 2-port ball valve
(Compact rotary valves)

CHB-W/CHB-WR* Series

● Port size: Rc3/8 to Rc2

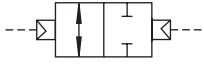


Drain separator
F.R.L. unit
Pneumatic auxiliary
components
Pneumatic
valves
Fluid control
valves
Pneumatic
cylinders
Related
products
Safety
precautions

JIS symbol

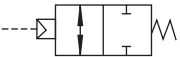
● CHB-W

(double acting)



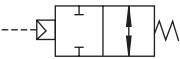
● CHB-WR1

(Single acting-NC)



● CHB-WR2

(Single acting-NO)



Common specifications

Item	CHB-W	CHB-WR*	
Actuation	Air operated: Double acting	Air operated: Single acting	
Working fluid	Water/Air/Oil (500 mm ² /s or less) (*1)		
Working pressure MPa	0 to 1.0		
Proof pressure (water) MPa	2.0		
Fluid temperature °C	Water/Oil: 0 to 80 (no freezing) Air: -20 to 80 (no freezing) (*2)		
Ambient temperature °C	Fluoro rubber: -10 to 60, Special fluoro rubber: -20 to 60		
Working environment	Indoors/outdoors		
Valve seat leakage cm ³ /min	0 (at initial water pressure 1 MPa)		
Mounting orientation	Unrestricted		
Frequency cycles/min.	1 or less		
Rotary actuator	Pilot fluid	Compressed air	
	Lubrication	Not required (*3)	
	Proof pressure (water) MPa	1.5	
	Working pressure MPa	0.35 to 0.7	0.4 to 0.7
	Fluid temperature °C	5 to 60	
Port size	Rc1/8	Rc1/8	

*1: Dynamic viscosity varies with temperature. Check that the dynamic viscosity is 500mm²/s or less within the temperature range being used. When exceeding 500 mm²/s, operation will become unstable.

*2: When using fluid: air at -20 to 80°C, select the special fluoro rubber (F).

*3: Use turbine oil ISO VG32 for lubrication. Consult with CKD regarding use in low-temperature environments.

Individual specifications

Item	Model No.	Port size	Orifice size (mm)	Cv	Weight (kg)	
					Double acting	Single acting
Standard bore	CHB-W(R*)-10	Rc3/8	10	10	1.0	1.1
	CHB-W(R*)-15	Rc1/2	10	6	1.0	1.1
	CHB-W(R*)-20	Rc3/4	15	16	1.2	1.3
	CHB-W(R*)-25	Rc1	20	29	1.3	2.2
	CHB-W(R*)-32	Rc1 ¹ / ₄	25	50	2.3	2.8
	CHB-W(R*)-40	Rc1 ¹ / ₂	32	98	2.7	4.9
	CHB-W(R*)-50	Rc2	40	125	3.5	5.7

1: CHB-W (R)-10 is a full bore type.

How to order

CHB - W R1 - 15 - E

Model No.

A Warranty period

B Actuator

C Port size

D Body / rubber material

Code	Description	
A Warranty period		
W	1 year after delivery	
WG	3 years after delivery *1, *2 (with inspection certificate, inspection guidelines, traceability system diagram)	
B Actuator		
Blank	Double acting	
R1	Single acting NC (Normally closed)	
R2	Single acting NO (Normally open)	
C Port size		
10	Rc3/8	
15	Rc1/2	
20	Rc3/4	
25	Rc1	
32	Rc1¼	
40	Rc1½	
50	Rc2	
D Body / rubber material		
	Body	Rubber
E	Stainless steel	Fluoro rubber *3
F		Special fluoro rubber *3

[Example of model No.]

CHB-WR1-15-E

Model No.: CHB (standard bore)

- A** Warranty period: 1 year after delivery
- B** Actuator : Single acting NC (Normally closed)
- C** Port size : Rc1/2
- D** Body material : Stainless steel

⚠ Precautions for model No. selection

- *1: The warranty period of option WG is guaranteed for a period of three years from the date of delivery or for a period of one year from the start of use, whichever comes first.
- *2: For option WG, the specifications and drawings must be exchanged. Refer to page 101 for details.
- *3: For option E, the ambient temperature is -10°C to 60°C.
With option F, the ambient temperature is -20°C to 60°C.

Drain separator
F.R.L. unit

Pneumatic auxiliary
components

Pneumatic
valves

Fluid control
valves

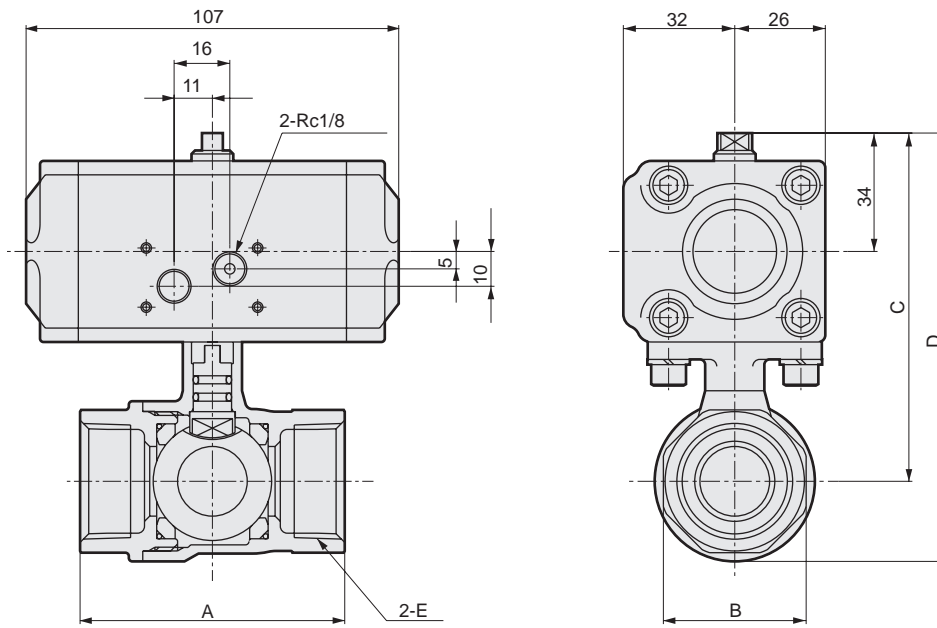
Pneumatic
cylinders

Related
products

Safety
precautions

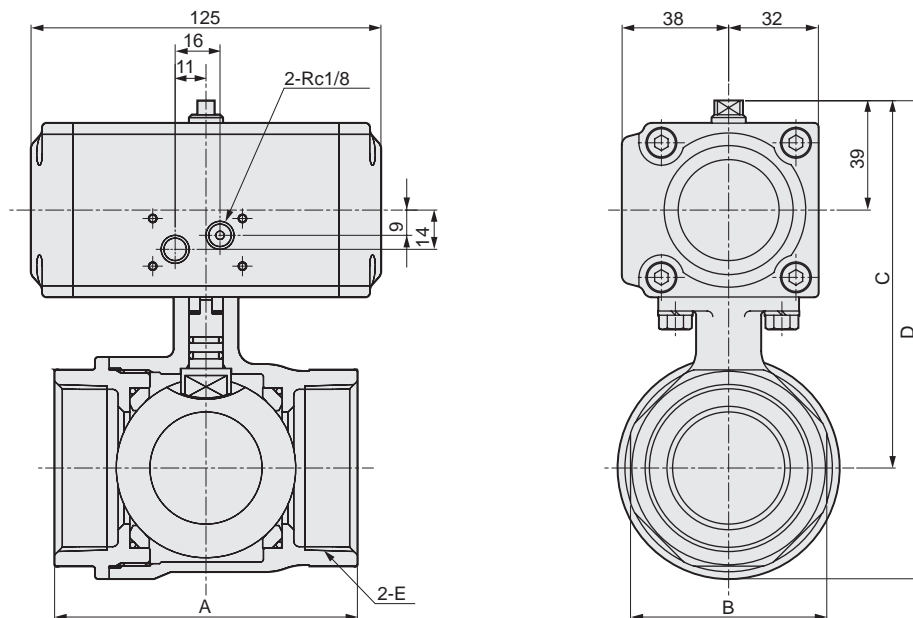
Dimensions: CHB-W Series

● CHB-W-10/15/20/25



Model No.	A	B	C	D	E
CHB-W-10	56	28	91	107	Rc3/8
CHB-W-15	56	28	91	107	Rc1/2
CHB-W-20	65	34	97	117.5	Rc3/4
CHB-W-25	76	41	100	124	Rc1

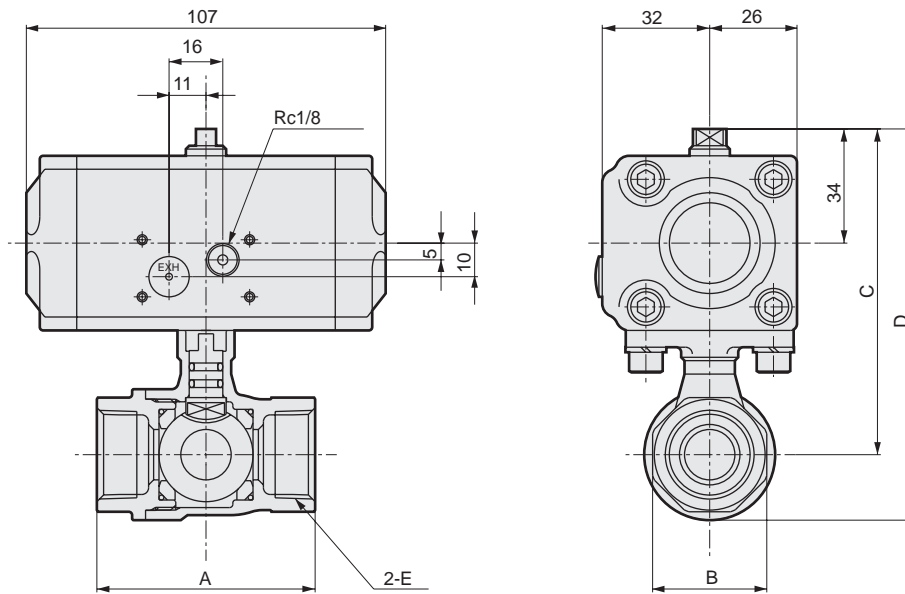
● CHB-W-32/40/50



Model No.	A	B	C	D	E
CHB-W-32	84	50	116	145.5	Rc1/4
CHB-W-40	94	57	122	157.5	Rc1/2
CHB-W-50	108	70	131	171.5	Rc2

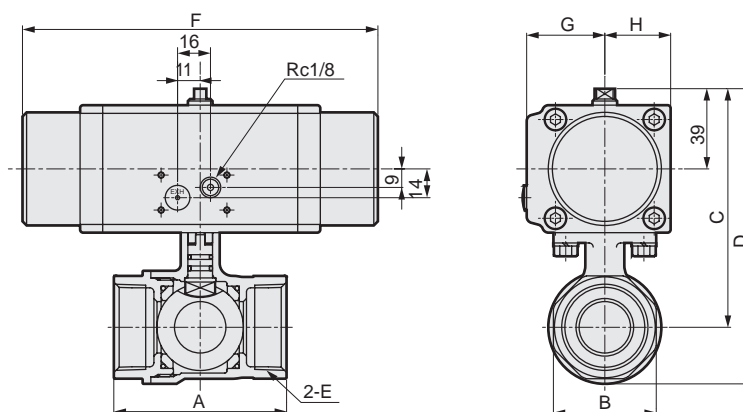
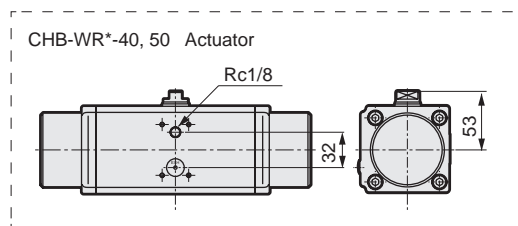
Dimensions: CHB-WR* Series

● CHB-WR*-10/15/20



Model No.	A	B	C	D	E
CHB-WR*-10	56	28	91	107	Rc3/8
CHB-WR*-15	56	28	91	107	Rc1/2
CHB-WR*-20	65	34	97	117.5	Rc3/4

● CHB-WR*-25/32/40/50



Model No.	A	B	C	D	E	F	G	H
CHB-WR*-25	76	41	110	134	Rc1	173	38	32
CHB-WR*-32	84	50	116	145.5	Rc1 ¹ / ₄	173	38	32
CHB-WR*-40	94	57	156.5	192	Rc1 ¹ / ₂	244	43	38
CHB-WR*-50	108	70	165.5	206	Rc2	244	43	38

Drain separator
F.R.L. unit

Pneumatic auxiliary
components

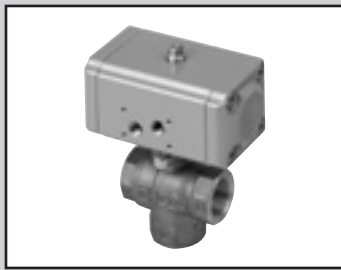
Pneumatic
valves

Fluid control
valves

Pneumatic
cylinders

Related
products

Safety
precautions



Air operated 3-port ball valve
(Compact rotary valves)

CHG-W/CHG-WR* Series

● Port size: Rc1/2 to Rc2



Drain separator
F.R.L. unit

Pneumatic auxiliary
components

Pneumatic
valves

Fluid control
valves

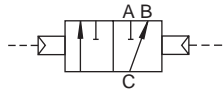
Pneumatic
cylinders

Related
products

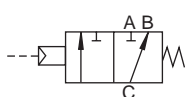
Safety
precautions

JIS symbol

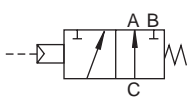
● CHG-W (Double acting)



● CHG-WR1 (Single acting - normally B-C path)



● CHG-WR2 (Single acting - normally A-C path)



Common specifications

Item	CHG-W	CHG-WR*
Actuation	Air operated: Double acting	Air operated: Single acting
Working fluid	Water/Air/Oil (500 mm ² /s or less) (*1)	
Working pressure MPa	0 to 1.0	
Proof pressure (water) MPa	2.0	
Fluid temperature °C	Water/Oil: 0 to 80 (no freezing) Air: -20 to 80 (no freezing) (*2)	
Ambient temperature °C	Fluoro rubber (E): -10 to 60, special fluoro rubber (F): -20 to 60	
Working environment	Indoors / Outdoors	
Valve seat leakage cm ³ /min	0 (at initial water pressure 1 MPa)	
Mounting orientation	Unrestricted	
Frequency cycles/min.	1 or less	
Pressurization direction	Port C pressurization only	
Flow path shape	Multi-fluid type (90° Rotation switching method)	
Rotary actuator	Pilot fluid	Compressed air
	Lubrication	Not required(*3)
	Proof pressure (water) MPa	1.5
	Working pressure MPa	0.35 to 0.7
	Fluid temperature °C	5 to 60
Port size	Rc1/8	Rc1/8

*1: Dynamic viscosity varies with temperature. Check that the dynamic viscosity is 500mm²/s or less within the temperature range being used. When exceeding 500 mm²/s, operation will become unstable.

*2: When using fluid: air at -20 to 80°C, select the special fluoro rubber (F).

*3: Use turbine oil ISO VG32 for lubrication. Consult with CKD regarding use in low-temperature environments.

Individual specifications

Item Model No.	Port size	Orifice size(mm)	Cv	Weight(kg)	
				Double acting	Single acting
CHG-W(R*)-15	Rc1/2	10	3	1.1	1.2
CHG-W(R*)-20	Rc3/4	14	6	1.3	1.4
CHG-W(R*)-25	Rc1	19	11	1.5	2.4
CHG-W(R*)-32	Rc1 ¹ / ₄	23	16	2.3	2.8
CHG-W(R*)-40	Rc1 ¹ / ₂	30	28	2.8	5.0
CHG-W(R*)-50	Rc2	38	47	3.7	5.9

How to order

CHG - W R1 - 20 - E

Model No.

A Warranty period

B Actuator

C Port size

D Body / Rubber material

Code	Description	
A Warranty period		
W	1 year after delivery	
WG	3 years after delivery *1*2 (with inspection certificate, inspection guidelines, traceability system diagram)	
B Actuator		
Blank	Double acting	
R1	Single acting, normally B-C path	
R2	Single acting, normally A-C path	
C Port size		
15	Rc1/2	
20	Rc3/4	
25	Rc1	
32	Rc1¼	
40	Rc1½	
50	Rc2	
D Body / rubber material		
	Body	Rubber
E	Stainless steel	Fluoro rubber *3
F		Special fluoro rubber *3

[Example of model No.]

CHG-WR1-20-E

Model: CHG

- A** Warranty period : 1 year after delivery
- B** Actuator : Single acting, normally B-C path
- C** Port size : Rc3/4
- D** Body material : Stainless steel

⚠ Precautions for model No. selection

*1: The warranty period of option WG is guaranteed for a period of three years from the date of delivery or for a period of one year from the start of use, whichever comes first.

*2: For option WG, the specifications and drawings must be exchanged. Refer to page 101 for details.

*3: For option E, the ambient temperature is -10°C to 60°C. With option F, the ambient temperature is -20°C to 60°C.

Drain separator
F.R.L. unit

Pneumatic auxiliary
components

Pneumatic
valves

Fluid control
valves

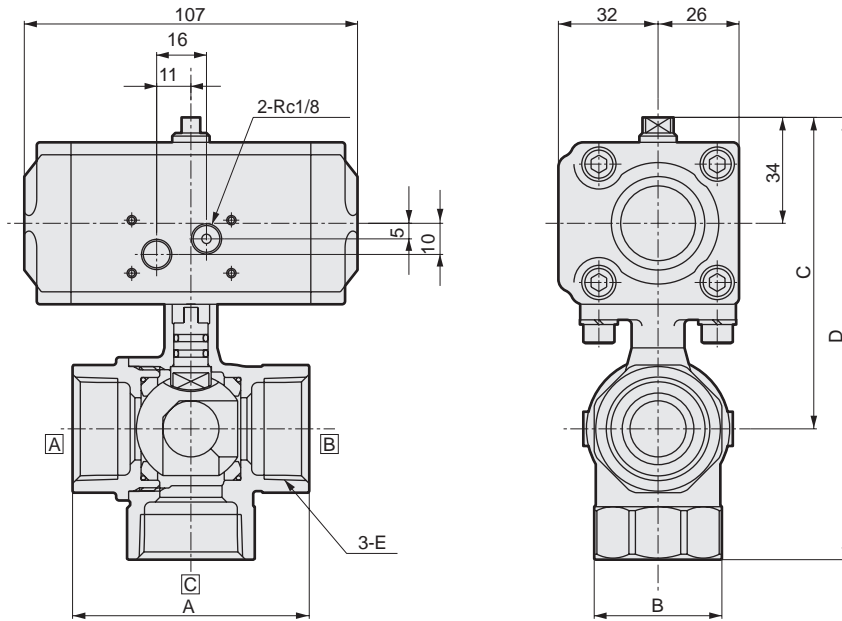
Pneumatic
cylinders

Related
products

Safety
precautions

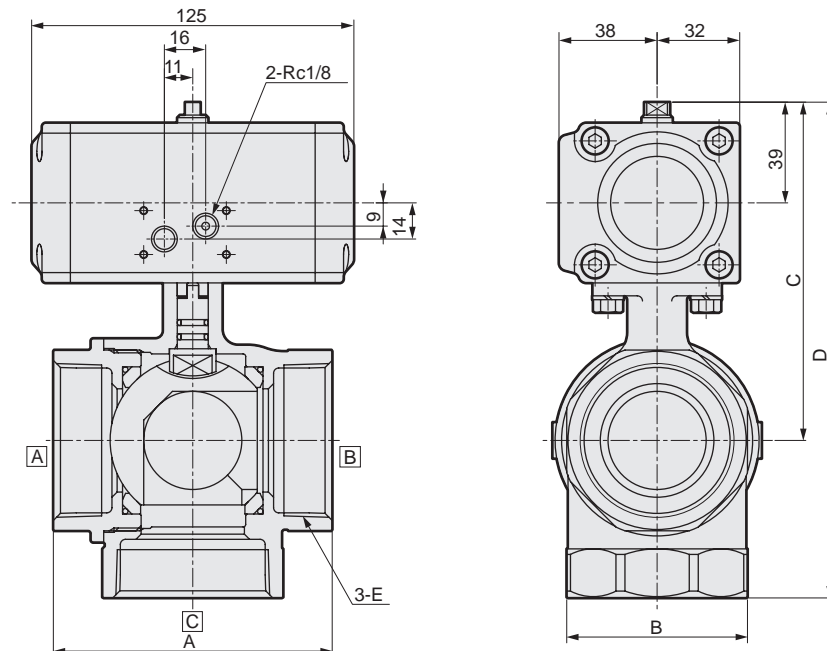
Dimensions: CHG-W Series

● CHG-W-15/20/25



Model No.	A	B	C	D	E
CHG-W-15	56	28	91	121	Rc1/2
CHG-W-20	65	34	97	133	Rc3/4
CHG-W-25	76	41	100	142	Rc1

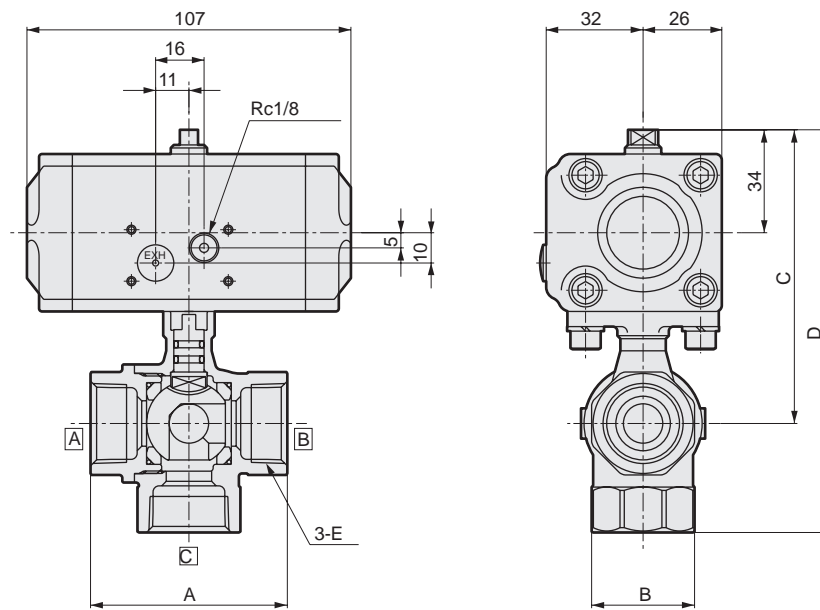
● CHG-W-32/40/50



Model No.	A	B	C	D	E
CHG-W-32	84	50	116	163	Rc1 ¹ / ₄
CHG-W-40	94	57	122	175	Rc1 ¹ / ₂
CHG-W-50	108	70	131	192	Rc2

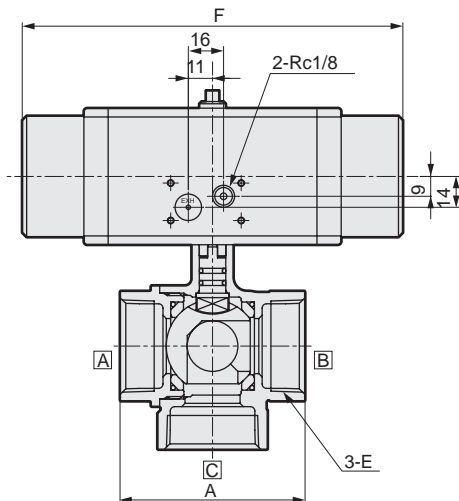
Dimensions: CHG-WR* Series

● CHG-WR*-15/20



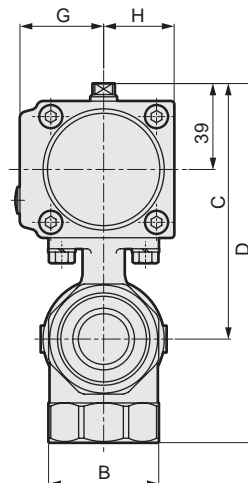
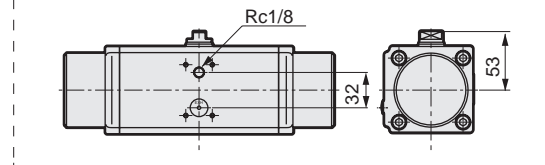
Model No.	A	B	C	D	E
CHG-WR*-15	56	28	91	121	Rc1/2
CHG-WR*-20	65	34	97	133	Rc3/4

● CHG-WR*-25/32/40/50



Model No.	A	B	C	D	E	F	G	H
CHG-WR*-25	76	41	110	152	Rc1	173	38	32
CHG-WR*-32	84	50	116	163	Rc1 1/4	173	38	32
CHG-WR*-40	94	57	156.5	209.5	Rc1 1/2	244	43	38
CHG-WR*-50	108	70	165.5	226.5	Rc2	244	43	38

● CHG-WR*-40, 50 Actuator



Drain separator
F.R.L. unit

Pneumatic auxiliary
components

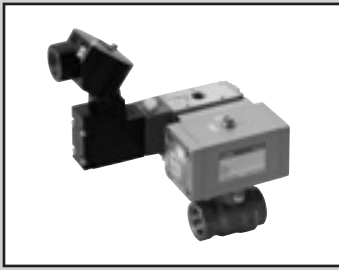
Pneumatic
valves

Fluid control
valves

Pneumatic
cylinders

Related
products

Safety
precautions



Air operated ball type 2-port solenoid valve
(Compact rotary valves)

CHB-WV1/, CHB-WX1 Series

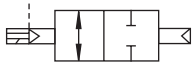
● Port size: Rc3/8 to Rc2



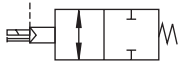
Drain separator
F.R.L. unit
Pneumatic auxiliary
components
Pneumatic
valves
Fluid control
valves
Pneumatic
cylinders
Related
products
Safety
precautions

JIS symbol

● CHB-WV1
(Double acting-NC)



● CHB-WX1
(Single acting-NC)



Common specifications

Item	CHB-WV1	CHB-WX1	
Actuation	With solenoid valve: Double acting	With solenoid valve: Single acting	
Working fluid	Water/Air/Oil (500 mm ² /s or less) (*1)		
Working pressure MPa	0 to 1.0		
Proof pressure(water) MPa	2.0		
Fluid temperature °C	Water/Oil: 0 to 80 (no freezing) Air: -20 to 80 (no freezing) (*2)		
Ambient temperature°C	Fluoro rubber (E): -10 to 60, special fluoro rubber (F): -20 to 60		
Working environment	Indoors/outdoors		
Valve seat leakagecm ³ /min	0 (at initial water pressure 1 MPa)		
Mounting orientation	Vertical direction with the actuator on the top		
Frequency cycles/min.	1 or less		
Rotary actuator	Pilot fluid	Compressed air	
	Lubrication	Not required (*3)	
	Proof pressure(water) MPa	1.5	
	Working pressureMPa	0.35 to 0.7	0.4 to 0.7
	Fluid temperature°C	5 to 60	
	Port size	Ports S, E1, E2 EXH port	Rc1/4 Rc1/8

Electrical specifications

Rated voltage	100 VAC (50/60Hz), 200 VAC (50/60Hz), 24 VDC	
Starting current(A)	100 VAC	0.170/0.140 (50/60Hz)
	200 VAC	0.090/0.070 (50/60Hz)
	24 VDC	0.250
Holding current(A)	100 VAC	0.100/0.080 (50/60Hz)
	200 VAC	0.050/0.040 (50/60Hz)
	24 VDC	0.250
Power consumption(W)	100 VAC	5.0/4.0 (50/60Hz)
	200 VAC	5.0/4.0 (50/60Hz)
	24 VDC	6.0
Thermal class	Class 130 (B)	
Degree of protection	IP65	
Voltage fluctuation range	±10%	

*1: Dynamic viscosity varies with temperature. Check that the dynamic viscosity is 500mm²/s or less within the temperature range being used. When exceeding 500 mm²/s, operation will become unstable.

*2: When using fluid: air at -20 to 80°C, select the special fluoro rubber (F).

*3: Use turbine oil ISO VG32 for lubrication. Consult with CKD regarding use in low-temperature environments.

Individual specifications

Item	Model No.	Port size	Orifice size(mm)	Cv	Weight (kg)	
					Double acting	Single acting
Standard bore	CHB-WV1/WX1-10-	Rc3/8	10	10	2.1	2.2
	CHB-WV1/WX1-15-	Rc1/2	10	6	2.1	2.2
	CHB-WV1/WX1-20-	Rc3/4	15	16	2.3	2.4
	CHB-WV1/WX1-25-	Rc1	20	29	2.4	3.3
	CHB-WV1/WX1-32-	Rc1 ¹ / ₄	25	50	3.4	3.9
	CHB-WV1/WX1-40-	Rc1 ¹ / ₂	32	98	3.8	6.0
	CHB-WV1/WX1-50-	Rc2	40	125	4.6	6.8

How to order

Model No. **CHB - W V1 - 25 - E B - S - AC100V**

Model No.

A Warranty period

B Actuator

C Port size

D Body / rubber material

E Coil option

F Other options

G Voltage

Code	Description	
A Warranty period		
W	1 year after delivery	
WG	3 years after delivery *1, *2 (with inspection certificate, inspection guidelines, traceability system diagram)	
B Actuator		
V1	Double acting NC (Open when energized)	
X1	Single acting NC (Open when energized)	
C Port size		
10	Rc3/8	
15	Rc1/2	
20	Rc3/4	
25	Rc1	
32	Rc1¼	
40	Rc1½	
50	Rc2	
D Body / rubber material		
	Body	Rubber
E	Stainless steel	Fluoro rubber *3
F		Special fluoro rubber *3
E Coil option		
B	Round terminal box (G½)	
BL	Round terminal box with lamp (G½)	
F Other options		
Blank	No	
S	Silencer *4	
G Voltage		
AC100V	100 VAC 50/60 Hz, 110 VAC 60 Hz	
AC200V	200 VAC 50/60 Hz and 220 VAC 60 Hz	
DC24V	24 VDC	

[Example of model No.]

CHB-WV1-25-EB-S-AC100V

Model No.: CHB (standard bore)

- A** Warranty period : 1 year after delivery
- B** Actuator : Double acting NC (Open when energized)
- C** Port size : Rc1
- D** Body material : Stainless steel
- E** Coil option : With round terminal box
- F** Other options : With 2 silencers
- G** Voltage : 100 VAC 50/60Hz. 110 VAC 60Hz

⚠ Precautions for model No. selection

- *1: The warranty period of option WG is guaranteed for a period of three years from the date of delivery or for a period of one year from the start of use, whichever comes first.
- *2: For option WG, the specifications and drawings must be exchanged. Refer to page 101 for details.
- *3: For option E, the ambient temperature is -10°C to 60°C.
With option F, the ambient temperature is -20°C to 60°C.
- *4: Two CKD SL-8A-W are included with **B** WV1, and one is included with **B** WX1.

Drain separator
F.R.L. unit

Pneumatic auxiliary
components

Pneumatic
valves

Fluid control
valves

Pneumatic
cylinders

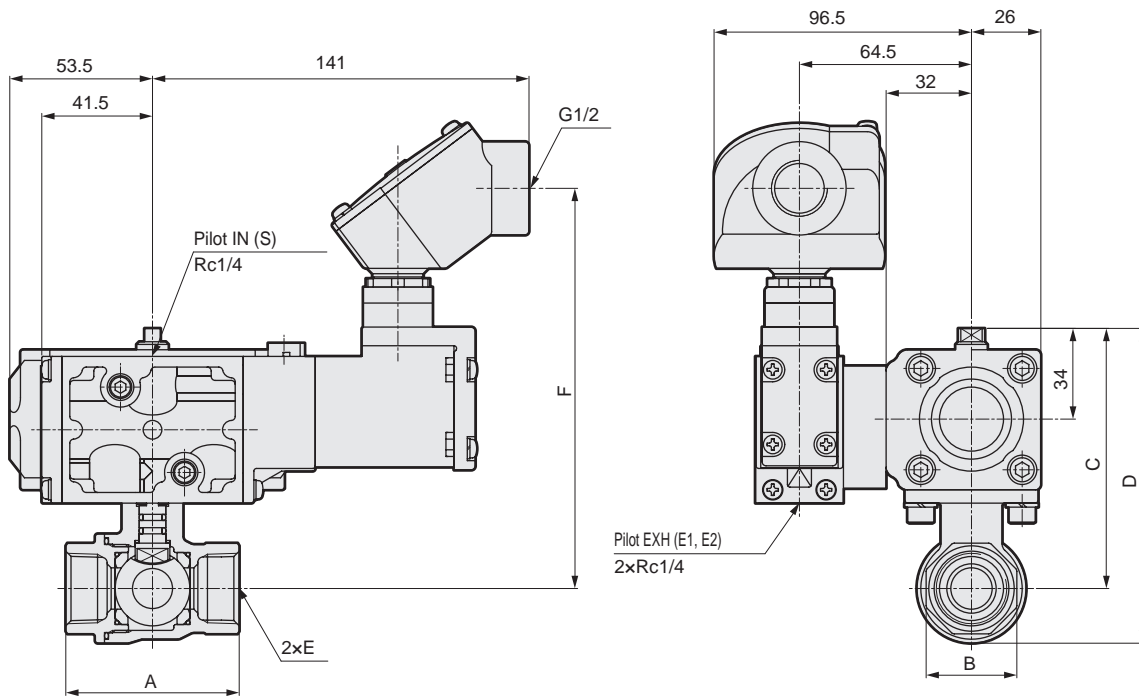
Related
products

Safety
precautions

CHB-WV1 Series

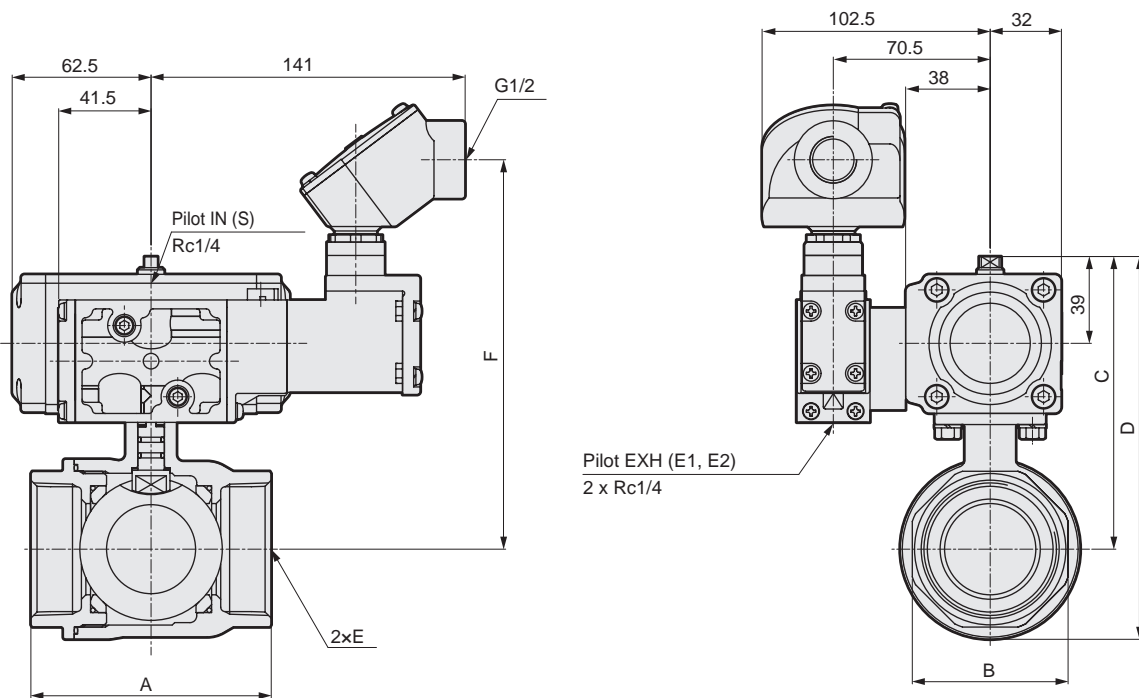
Dimensions CHB-WV1 Series

● CHB-WV1-10/15/20/25



Model No.	A	B	C	D	E	F
CHB-WV1-10	56	28	91	107	Rc3/8	144
CHB-WV1-15	56	28	91	107	Rc1/2	144
CHB-WV1-20	65	34	97	117.5	Rc3/4	150
CHB-WV1-25	76	41	100	124	Rc1	153

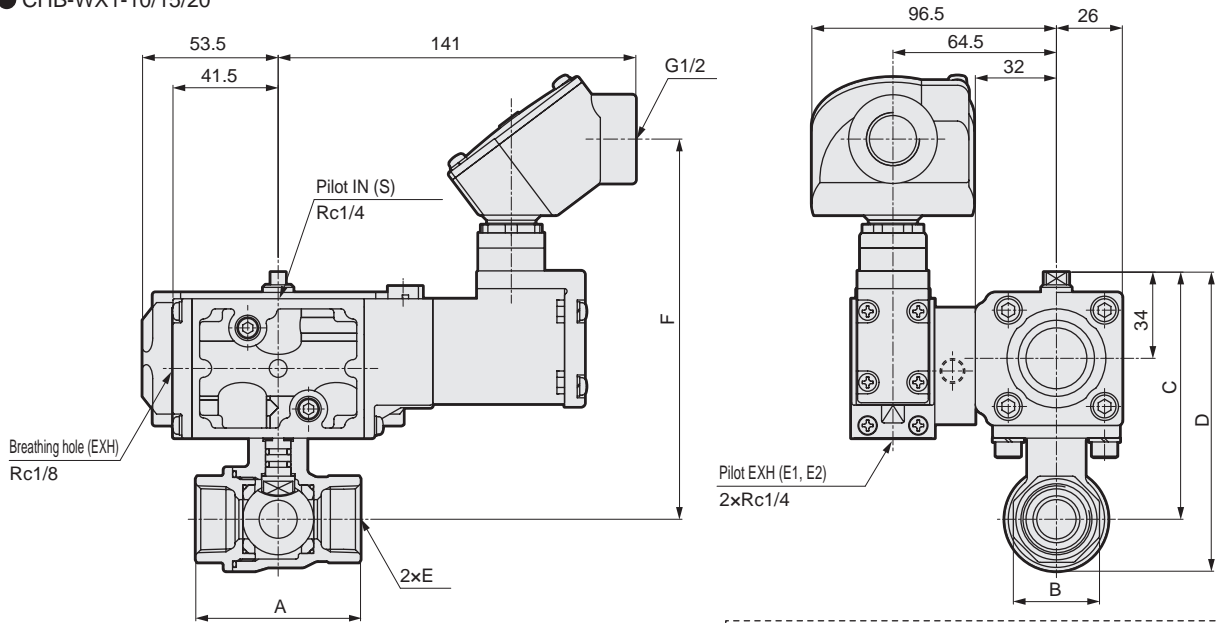
● CHB-WV1-32/40/50



Model No.	A	B	C	D	E	F
CHB-WV1-32	84	50	116	145.5	Rc11/4	160
CHB-WV1-40	94	57	122	157.5	Rc11/2	166
CHB-WV1-50	108	70	131	171.5	Rc2	175

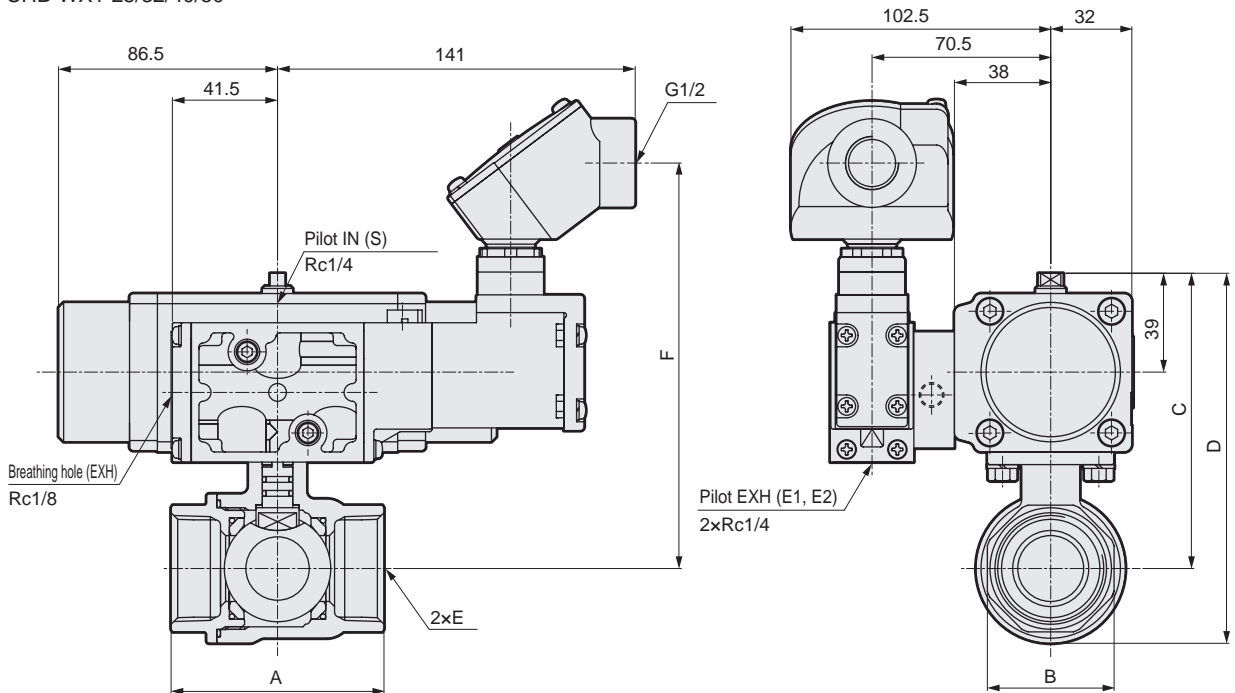
Dimensions CHB-WX1 Series

● CHB-WX1-10/15/20

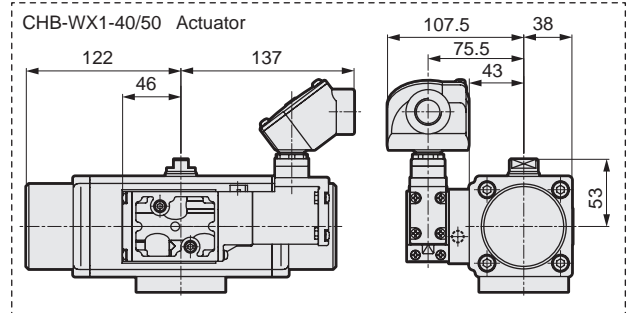


Model No.	A	B	C	D	E	F
CHB-WX1-10	56	28	91	107	Rc3/8	144
CHB-WX1-15	56	28	91	107	Rc1/2	144
CHB-WX1-20	65	34	97	117.5	Rc3/4	150

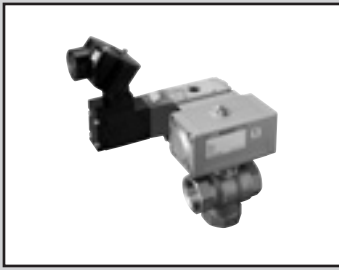
● CHB-WX1-25/32/40/50



Model No.	A	B	C	D	E	F
CHB-WX1-25	76	41	110	134	Rc1	153
CHB-WX1-32	84	50	116	145.5	Rc11/4	160
CHB-WX1-40	94	57	156.5	192	Rc11/2	194
CHB-WX1-50	108	70	165.5	206	Rc2	203



Drain separator
F.R.L. unit
Pneumatic auxiliary
components
Pneumatic
valves
Fluid control
valves
Pneumatic
cylinders
Related
products
Safety
precautions



Air operated ball type 3-port solenoid valve
(Compact rotary valves)

CHG-WV1, CHG-WX1 Series

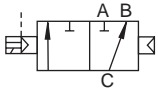
● Port size: Rc1/2 to Rc2



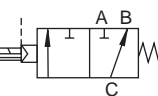
Drain separator
F.R.L. unit
Pneumatic auxiliary
components
Pneumatic
valves
Fluid control
valves
Pneumatic
cylinders
Related
products
Safety
precautions

JIS symbol

● CHG-WV1 (Double acting - normally B-C path)



● CHG-WX1 (Single acting - normally B-C path)



Common specifications

Item	CHG-WV1	CHG-WX1	
Actuation	With solenoid valve: Double acting	With solenoid valve: Single acting	
Working fluid	Water/Air/Oil(500 mm ² /s or less) (*1)		
Working pressure MPa	0 to 1.0		
Proof pressure(water) MPa	2.0		
Fluid temperature °C	Water/Oil: 0 to 80 (no freezing) Air: -20 to 80 (no freezing) (*2)		
Ambient temperature °C	Fluoro rubber (E): -10 to 60, special fluoro rubber (F): -20 to 60		
Working environment	Indoors/outdoors		
Valve seat leakage cm ³ /min	0 (at initial water pressure 1 MPa)		
Mounting orientation	Vertical direction with the actuator on the top		
Frequency cycles/min.	1 or less		
Pressurization direction	Port C pressurization only		
Flow path shape	Multi-fluid type (90° Rotation switching method)		
Rotary actuator	Pilot fluid	Compressed air	
	Lubrication	Not required (*3)	
	Proof pressure(water) MPa	1.5	
	Working pressure MPa	0.35 to 0.7	0.4 to 0.7
	Fluid temperature °C	5 to 60	
Port size	Ports S, E1, E2	Rc1/4	
	EXH port	Rc1/8	

Electrical specifications

Rated voltage	100 VAC (50/60Hz), 200 VAC (50/60Hz), 24 VDC	
Starting current(A)	100 VAC	0.170/0.140 (50/60Hz)
	200 VAC	0.090/0.070 (50/60Hz)
	24 VDC	0.250
Holding current(A)	100 VAC	0.100/0.080 (50/60Hz)
	200 VAC	0.050/0.040 (50/60Hz)
	24 VDC	0.250
Power consumption(W)	100 VAC	5.0/4.0 (50/60Hz)
	200 VAC	5.0/4.0 (50/60Hz)
	24 VDC	6.0
Thermal class	Class 130 (B)	
Degree of protection	IP65	
Voltage fluctuation range	±10%	

*1: Dynamic viscosity varies with temperature. Check that the dynamic viscosity is 500mm²/s or less within the temperature range being used. When exceeding 500 mm²/s, operation will become unstable.

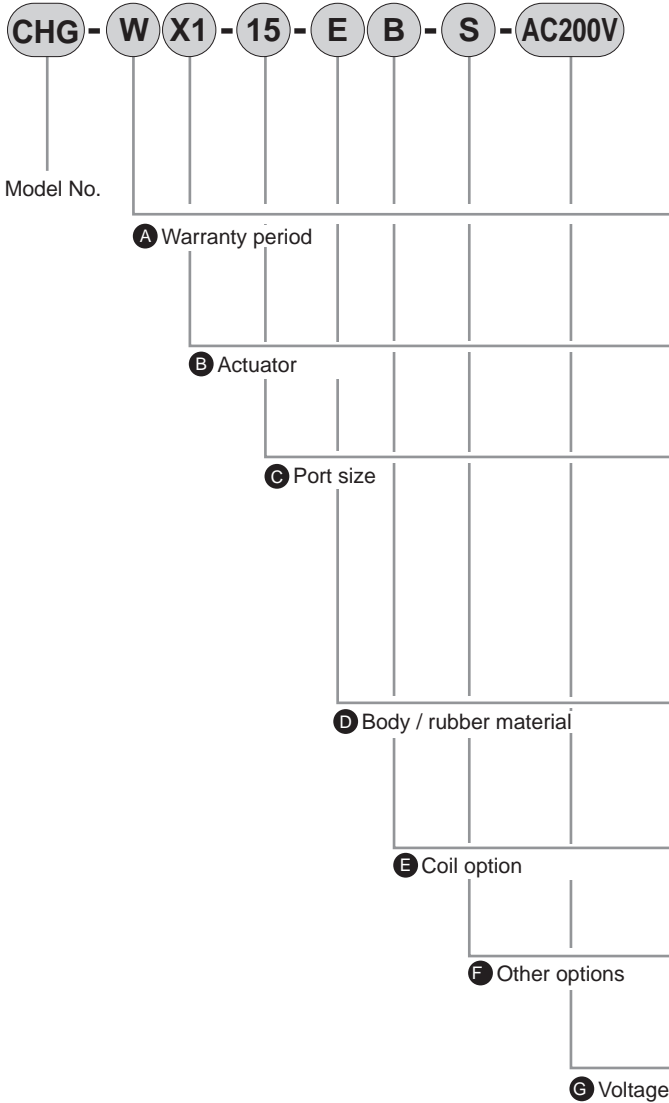
*2: When using fluid: air at -20 to 80°C, select the special fluoro rubber (F).

*3: Use turbine oil ISO VG32 for lubrication. Consult with CKD regarding use in low-temperature environments.

Individual specifications

Item Model No.	Port size	Orifice size(mm)	Cv	Weight (kg)	
				Double acting	Single acting
CHG-WV1/WX1-15-	Rc1/2	10	3	2.2	2.3
CHG-WV1/WX1-20-	Rc3/4	14	6	2.4	2.5
CHG-WV1/WX1-25-	Rc1	19	11	2.6	3.5
CHG-WV1/WX1-32-	Rc1 1/4	23	16	3.4	3.9
CHG-WV1/WX1-40-	Rc1 1/2	30	28	3.9	6.1
CHG-WV1/WX1-50-	Rc2	38	47	4.8	7.0

How to order



Code	Description								
A Warranty period									
W	1 year after delivery								
WG	3 years after delivery *1, *2 (with inspection certificate, inspection guidelines, traceability system diagram)								
B Actuator									
V1	Double acting, normally B-C path								
X1	Single acting, normally B-C path								
C Port size									
15	Rc1/2								
20	Rc3/4								
25	Rc1								
32	Rc1¼								
40	Rc1½								
50	Rc2								
D Body / rubber material									
	<table border="1"> <thead> <tr> <th></th> <th>Body</th> <th>Rubber</th> </tr> </thead> <tbody> <tr> <td>E</td> <td rowspan="2">Stainless steel</td> <td>Fluoro rubber *3</td> </tr> <tr> <td>F</td> <td>Special fluoro rubber *3</td> </tr> </tbody> </table>		Body	Rubber	E	Stainless steel	Fluoro rubber *3	F	Special fluoro rubber *3
	Body	Rubber							
E	Stainless steel	Fluoro rubber *3							
F		Special fluoro rubber *3							
E Coil option									
B	Round terminal box (G½)								
BL	Round terminal box with lamp (G½)								
F Other options									
Blank	No								
S	Silencer *4								
G Voltage									
AC100V	100 VAC 50/60 Hz, 110 VAC 60 Hz								
AC200V	200 VAC 50/60 Hz and 220 VAC 60 Hz								
DC24V	24 VDC								

[Example of model No.]

CHG-WX1-15-EB-S-AC200V

Model: CHG

- A** Warranty period : 1 year after delivery
- B** Actuator : Single acting, normally B-C path
- C** Port size : Rc1/2
- D** Body material : Stainless steel
- E** Coil option : With round terminal box
- F** Other options : With 1 silencer
- G** Voltage : 200 VAC 50/60Hz. 220 VAC 60Hz

⚠ Precautions for model No. selection

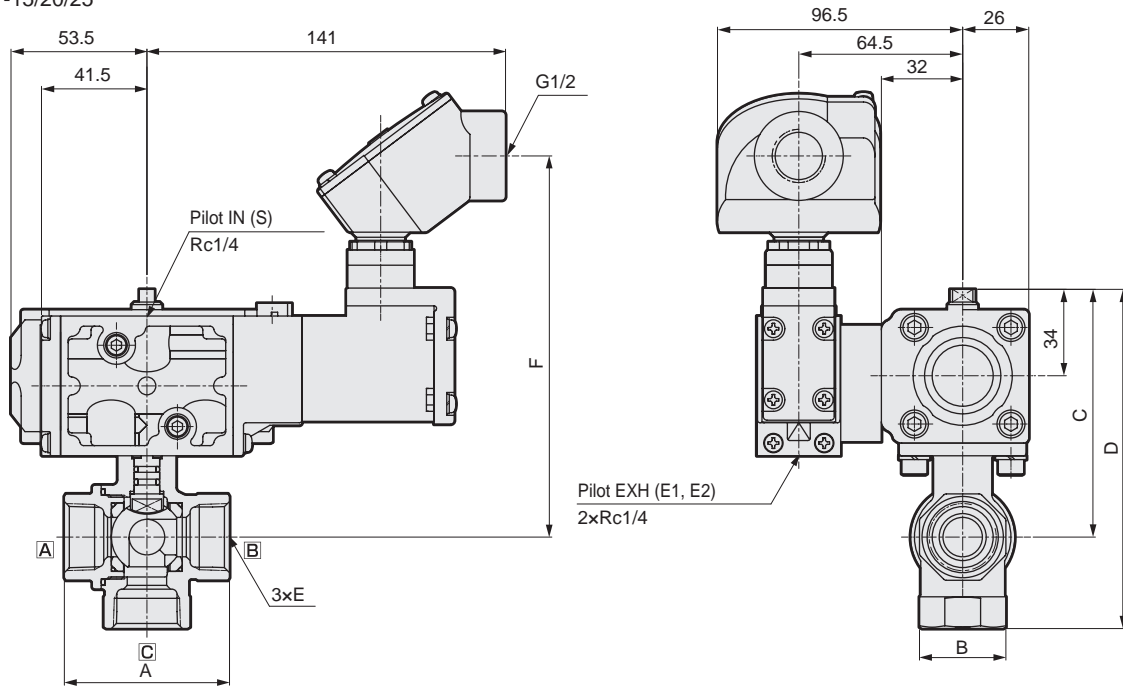
- *1: The warranty period of option WG is guaranteed for a period of three years from the date of delivery or for a period of one year from the start of use, whichever comes first.
- *2: For option WG, the specifications and drawings must be exchanged. Refer to page 101 for details.
- *3: For option E, the ambient temperature is -10°C to 60°C.
With option F, the ambient temperature is -20°C to 60°C.
- *4: Two CKD SL-8A-W are included with **B** WV1, and one is included with **B** WX1.

Drain separator
F.R.L. unit
Pneumatic auxiliary components
Pneumatic valves
Fluid control valves
Pneumatic cylinders
Related products
Safety precautions

CHG-WV1 Series

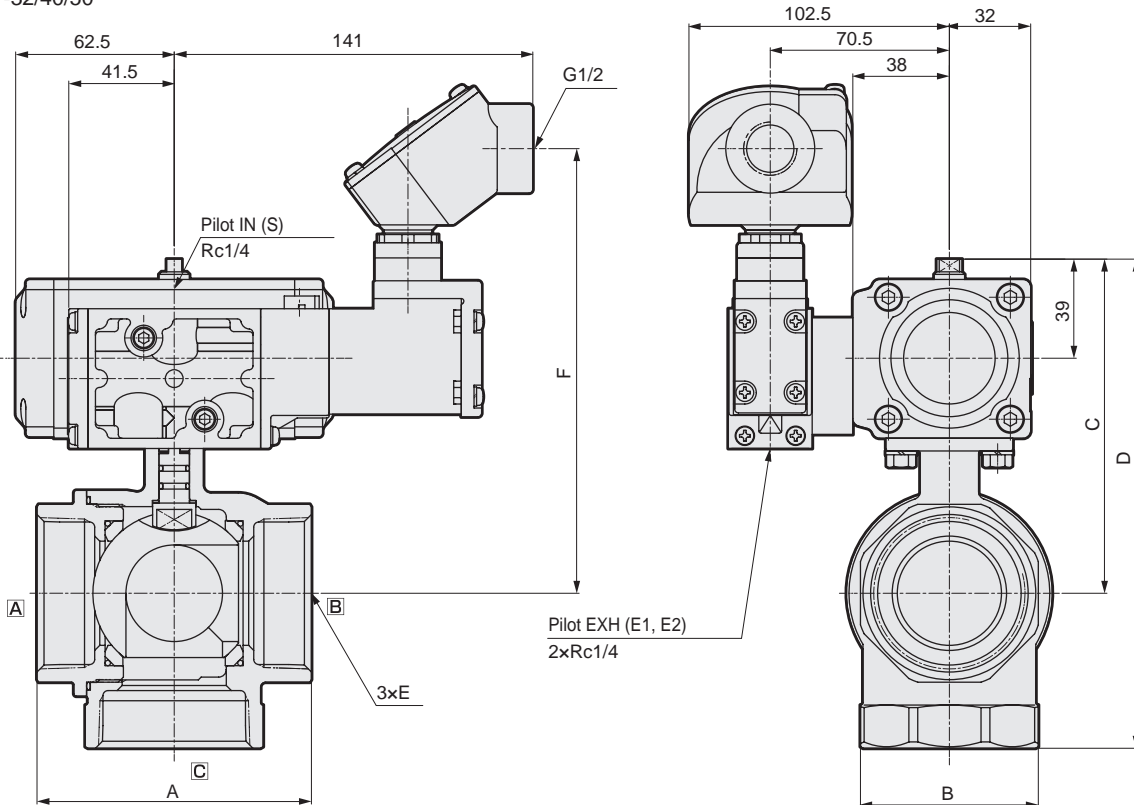
Dimensions: CHG-WV1 Series

● CHG-WV1-15/20/25



Model No.	A	B	C	D	E	F
CHG-WV1-15	56	28	91	121	Rc1/2	144
CHG-WV1-20	65	34	97	133	Rc3/4	150
CHG-WV1-25	76	41	100	142	Rc1	153

● CHG-WV1-32/40/50

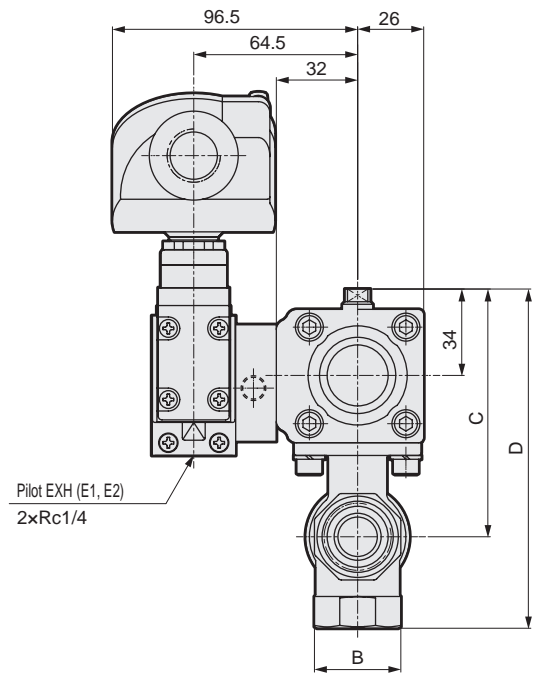
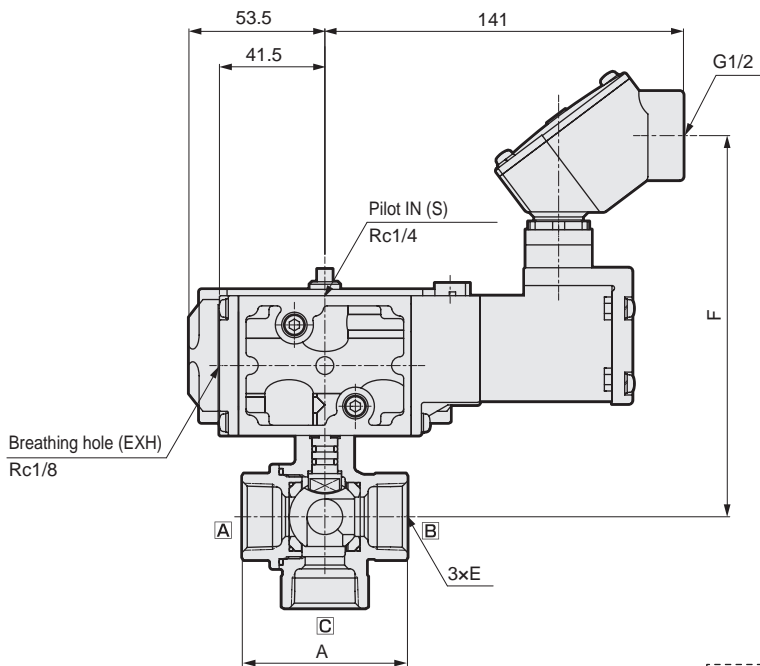


Model No.	A	B	C	D	E	F
CHG-WV1-32	84	50	116	163	Rc1 1/4	160
CHG-WV1-40	94	57	122	175	Rc1 1/2	166
CHG-WV1-50	108	70	131	192	Rc2	175

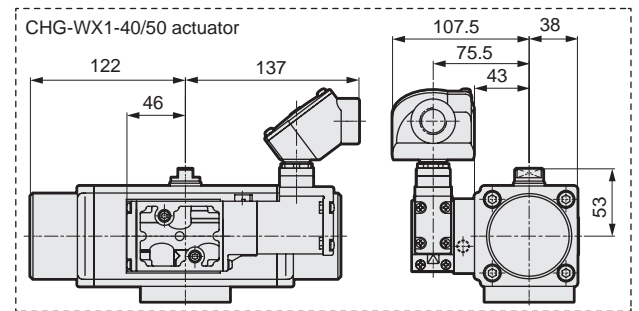
Drain separator F.R.L. unit
 Pneumatic auxiliary components
 Pneumatic valves
 Fluid control valves
 Pneumatic cylinders
 Related products
 Safety precautions

Dimensions CHG-WX1 Series

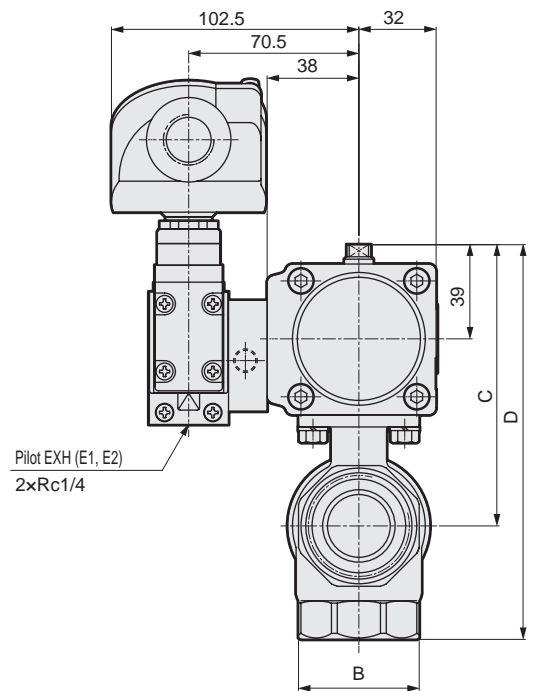
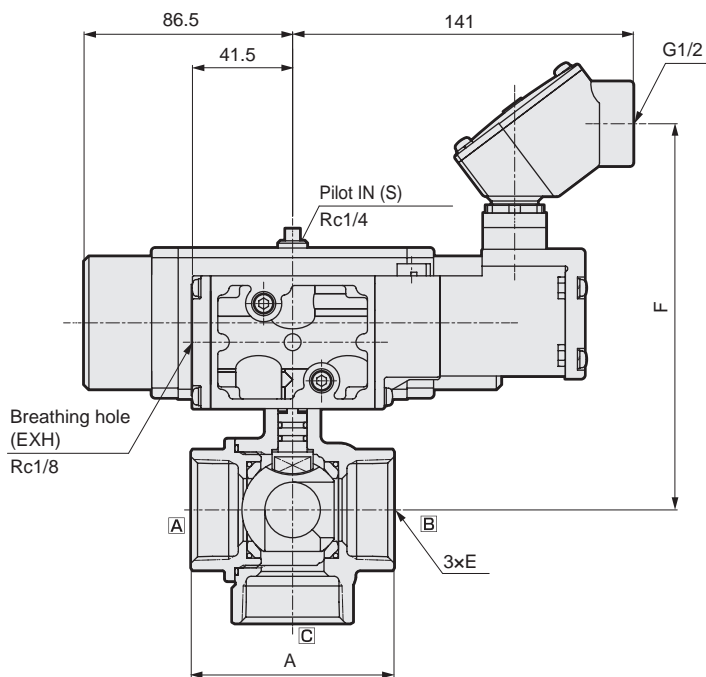
● CHG-WX1-15/20



Model No.	A	B	C	D	E	F
CHG-WX1-15	56	28	91	121	Rc1/2	144
CHG-WX1-20	65	34	97	133	Rc3/4	150



● CHG-WX1-25/32/40/50



Model No.	A	B	C	D	E	F
CHG-WX1-25	76	41	110	152	Rc1	153
CHG-WX1-32	84	50	116	163	Rc1 1/4	160
CHG-WX1-40	94	57	156.5	209.5	Rc1 1/2	194
CHG-WX1-50	108	70	165.5	226.5	Rc2	203

Drain separator
F.R.L. unit
Pneumatic auxiliary
components
Pneumatic
valves
Fluid control
valves
Pneumatic
cylinders
Related
products
Safety
precautions