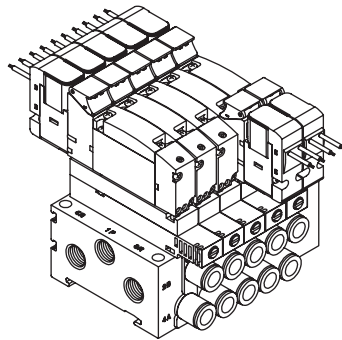


# M4GA1 to 3/M4GB1 to 3 Series

Related products

Related products

## ● In-stop valve spacer



## Specifications

Model No.	P→A/B		A/B→R		Weight g
	C[dm <sup>3</sup> /(s·bar)]	b	C[dm <sup>3</sup> /(s·bar)]	b	
4G1	0.54	0.03	0.82	0.27	17
4G2	1.5	0.17	1.6	0.20	63
4G3	1.9	0.09	2.8	0.16	80

\*1: Values with base piping and 2-position valve mounted.

\*2: The effective cross-sectional area when discharging residual pressure is 1.0 mm<sup>2</sup> (reference value).

\*3: Effective cross-sectional area S and sonic conductance C are converted as  $S \approx 5.0 \times C$ .

Attachments: 2 PR check valves, 1 body gasket (for 4G\*2 and 4G\*3)

## How to order discrete units

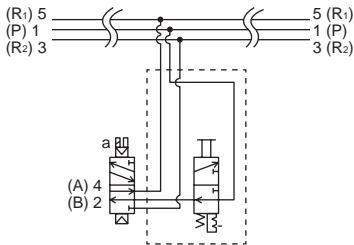
**4G1R - IS**

**4G2R - IS**

**4G3R - IS**

In-stop valve spacer

## JIS symbol

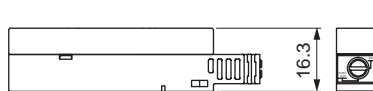
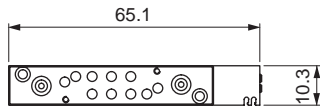
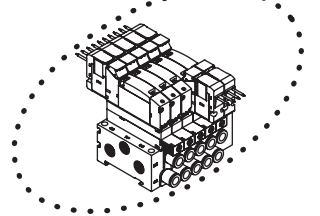


## ⚠ Precautions for model No. selection

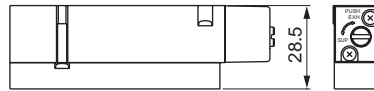
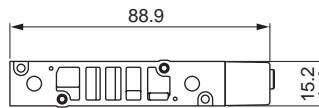
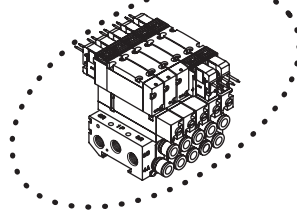
- \*1 : Specify the spacer mounting position and quantity in manifold specifications sheet.
- \*2 : If the A/B port fitting is the elbow (upward), turn the operation part of the in-stop valve spacer toward the reverse side ("a" solenoid side).
- \*3 : If the elbow (upward) A/B port fitting is used for the reduced wiring manifold, the in-stop valve spacer cannot be selected.
- \*4 : The in-stop valve spacer cannot be used with the external pilot (K).
- \*5 : When retrofitting to the reduced wiring manifold, the existing electric wire may be too short. Contact CKD for details.

## Dimensions

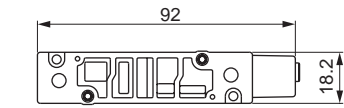
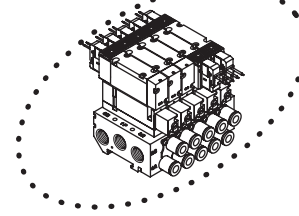
### ● 4G1



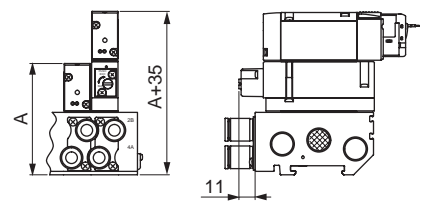
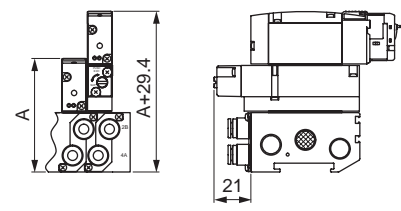
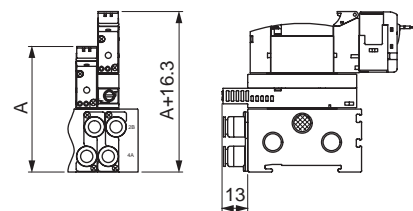
### ● 4G2



### ● 4G3



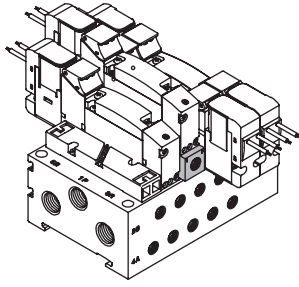
## Dimensions when mounted



Note: For A dimensions, check the dimensions of respective specifications.

## Related products

### ● Air supply spacer



### Specifications

Model No.	P → A/B		A/B → R		Weight g
	C(dm <sup>3</sup> /(s·bar))	b	C(dm <sup>3</sup> /(s·bar))	b	
4G1	0.70	0.23	0.93	0.16	8
4G2	1.6	0.17	1.8	0.16	35
4G3	2.6	0.22	3.1	0.14	56

\*1: Values are when a valve is mounted.

\*2: Formula to calculate sonic conductance C from effective cross-sectional area S is  $S \approx 5.0 \times C$ .

### How to order discrete units

#### ● Air supply spacer

Air supply spacer model No.

4G 3 R-P - GWS10 A

A Air supply spacer model No.

B Port size

C Mounting screw

		Valve model No.					
		4GA1	4GB1	4GA2	4GB2	4GA3	4GB3
Code	Description						
<b>A Air supply spacer model No.</b>							
1	For 4G1	●					
2	For 4G2			●			
3	For 4G3						●
<b>B Port size</b>							
Blank	M5(4G1), Rc1/8(4G2), Rc1/4(4G3)	●	●	●	●	●	●
GWS4	ø4 push-in fitting	●					
GWS6	ø6 push-in fitting	●		●			
GWS8	ø8 push-in fitting			●	●		●
GWS10	ø10 push-in fitting						●
06N	NPT1/8			●			
08N	NPT1/4						●
06G	G1/8			●			
08G	G1/4						●
<b>C Mounting screw</b>							
Blank		●	●	●	●	●	●
A	4GA3 Port A/B: Rc1/4 thread					●	(*)

is not available.

Accessories: Mounting screw 2 (\*1), PR check valve 2, body gasket 1

### ⚠ Precautions for model No. selection

\*1 Specify "A" only when using with 4GA3\*9R-08 for mounting base. (The valve set screw length differs.)

\*2 Specify the air supply spacer mounting position and quantity in manifold specifications sheet of each catalog.

\*3 If the A/B port fitting is the elbow (upward), turn the air supply port of the air supply spacer toward the reverse side ("a" solenoid side).

\*4 If the elbow (upward) A/B port fitting is used for the reduced wiring manifold, the air supply spacer cannot be selected.

\*5 Combination with the masking plate is not supported.

4GA/B

M4GA/B

MN4GA/B

4GA/B (master)

4GB With sensor

4GD/E

M4GD/E

MN4GD/E

4GA4/B4

MN3E

MN4E

W4GA/B2

W4GB4

MN3S0

MN4S0

4SA/B0

4KA/B

4KA/B (master)

4F

4F (master)

PV5G

GMF

PV5

GMF

PV5S-0

3Q

MV3QR

3MA/B0

3PA/B

P/M/B

NP/NAP

NVP

4G\*0EJ

4F\*0EX

4F\*0E

HMV

HSV

2QV

3QV

SKH

Silencer

TotAirSys (Total Air)

TotAirSys (Gamma)

Ending

# M4GA1 to 3/M4GB1 to 3 Series

Related products

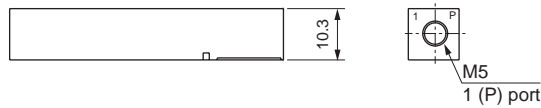
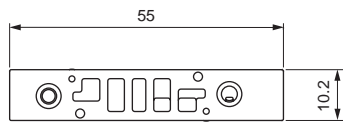
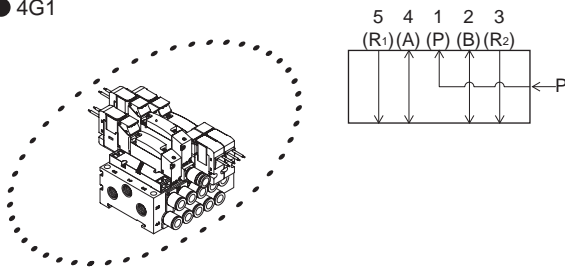
- 4GA/B
- M4GA/B**
- MN4GA/B
- 4GA/B (master)
- 4GB With sensor
- 4GD/E
- M4GD/E
- MN4GD/E
- 4GA4/B4
- MN3E
- MN4E
- W4GA/B2
- W4GB4
- MN3S0
- MN4S0
- 4SA/B0
- 4KA/B
- 4KA/B (master)
- 4F
- 4F (master)
- PV5G
- GMF
- PV5
- GMF
- PV5S-0
- 3Q
- MV3QR
- 3MA/B0
- 3PA/B
- P/M/B
- NP/NAP
- NVP
- 4G\*0EJ
- 4F\*0EX
- 4F\*0E
- HMV
- HSV
- 2QV
- 3QV
- SKH
- Silencer
- TotAirSys (Total Air)
- TotAirSys (Gamma)
- Ending

## Related products

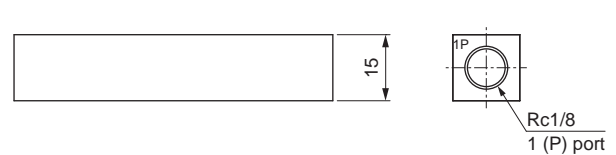
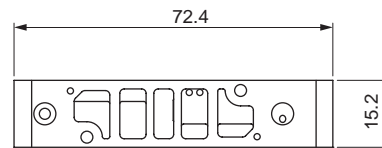
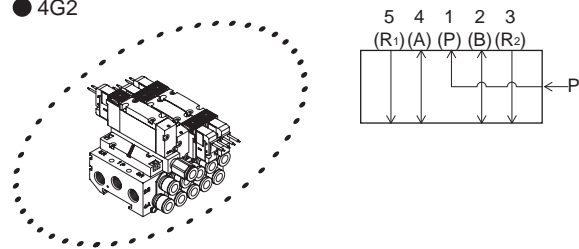
### ● Air supply spacer

### Dimensions

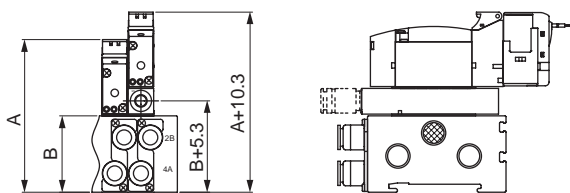
#### ● 4G1



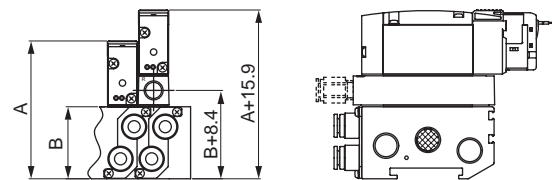
#### ● 4G2



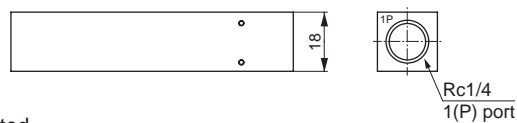
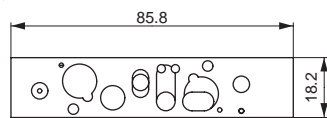
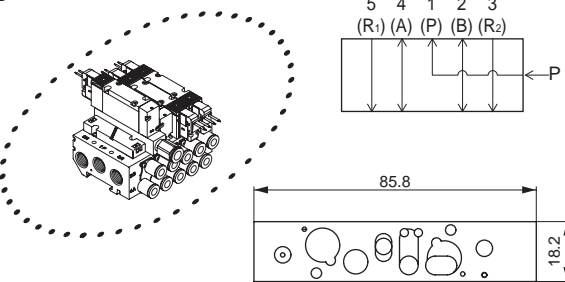
### Dimensions when mounted



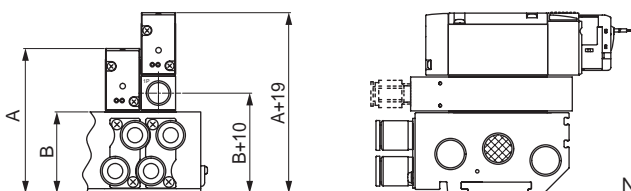
### Dimensions when mounted



#### ● 4G3



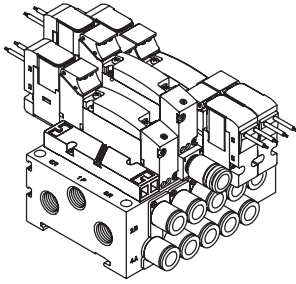
### Dimensions when mounted



Note: For A and B dimensions, check the dimensions of respective specifications.

## Related products

### ● Exhaust spacer



### Specifications

Model No.	P→A/B		A/B→R		Weight g
	C[dm <sup>3</sup> /(s·bar)]	b	C[dm <sup>3</sup> /(s·bar)]	b	
4G1	0.94	0.28	0.68	0.33	7
4G2	1.5	0.24	1.9	0.24	34
4G3	3.4	0.21	2.9	0.27	58

\*1: Values are when a valve is mounted.

\*2: Formula to calculate sonic conductance C from effective cross-sectional area S is  $S \approx 5.0 \times C$ .

### How to order discrete units

#### ● Exhaust spacer

Exhaust spacer model No.

4G 3 R-R - GWS10 A

A Air supply spacer model No.

B Port size

C Mounting screw

#### Valve model No.

Code	Description	4GA1	4GB1	4GA2	4GB2	4GA3	4GB3
<b>A Exhaust spacer model No.</b>							
1	For 4G1	●					
2	For 4G2			●			
3	For 4G3						●
<b>B Port size</b>							
Blank	M5(4G1), Rc1/8(4G2), Rc1/4(4G3)	●	●	●	●	●	●
GWS4	ø4 push-in fitting	●					
GWS6	ø6 push-in fitting	●		●			
GWS8	ø8 push-in fitting			●	●		
GWS10	ø10 push-in fitting						●
06 N	NPT1/8			●			
06G	G1/8			●			
08G	G1/4						●
<b>C Mounting screw</b>							
Blank		●	●	●	●	●	●
A	4GA3 Port A/B: Rc1/4 thread					●	(*)

is not available.

Accessories: Mounting screw 2 (\*1), PR check valve 2, body gasket 1

### ⚠ Precautions for model No. selection

\*1 Specify "A" only when using with 4GA3\*9R-08 for mounting base. (The valve set screw length differs.)

\*2 Specify the exhaust spacer mounting position and quantity in manifold specifications sheet of each catalog.

\*3 If the A/B port fitting is the elbow (upward), turn the exhaust port of the exhaust spacer toward the reverse side ("a" solenoid side).

\*4 If the elbow (upward) A/B port fitting is used for the reduced wiring manifold, the air exhaust spacer cannot be selected.

\*5 Combination with the masking plate is not supported.

4GA/B

M4GA/B

MN4GA/B

4GA/B

(master)

4GB

With sensor

4GD/E

M4GD/E

MN4GD/E

4GA4/B4

MN3E

MN4E

W4GA/B2

W4GB4

MN3S0

MN4S0

4SA/B0

4KA/B

4KA/B

(master)

4F

4F

(master)

PV5G

GMF

PV5

GMF

PV5S-0

3Q

MV3QR

3MA/B0

3PA/B

P/M/B

NP/NAP

NVP

4G\*0EJ

4F\*0EX

4F\*0E

HMV

HSV

2QV

3QV

SKH

Silencer

TotAirSys

(Total Air)

TotAirSys

(Gamma)

Ending

# M4GA1 to 3/M4GB1 to 3 Series

Related products

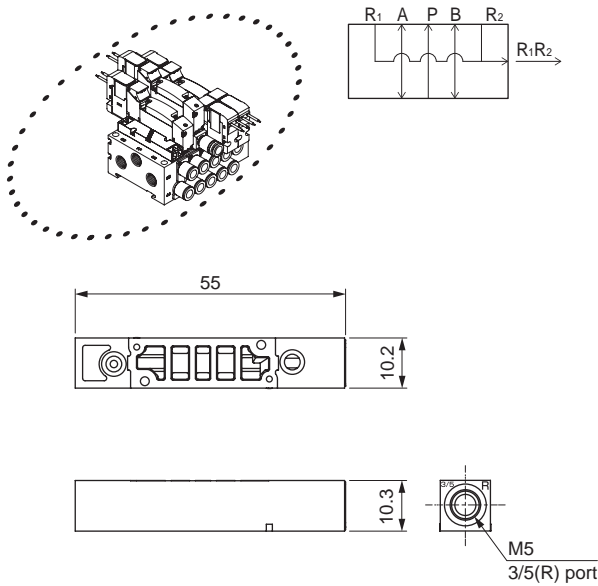
- 4GA/B
- M4GA/B**
- MN4GA/B
- 4GA/B (master)
- 4GB With sensor
- 4GD/E
- M4GD/E
- MN4GD/E
- 4GA4/B4
- MN3E
- MN4E
- W4GA/B2
- W4GB4
- MN3S0
- MN4S0
- 4SA/B0
- 4KA/B
- 4KA/B (master)
- 4F
- 4F (master)
- PV5G
- GMF
- PV5
- GMF
- PV5S-0
- 3Q
- MV3QR
- 3MA/B0
- 3PA/B
- P/M/B
- NP/NAP
- NVP
- 4G\*0EJ
- 4F\*0EX
- 4F\*0E
- HMV
- HSV
- 2QV
- 3QV
- SKH
- Silencer
- TotAirSys (Total Air)
- TotAirSys (Gamma)
- Ending

## Related products

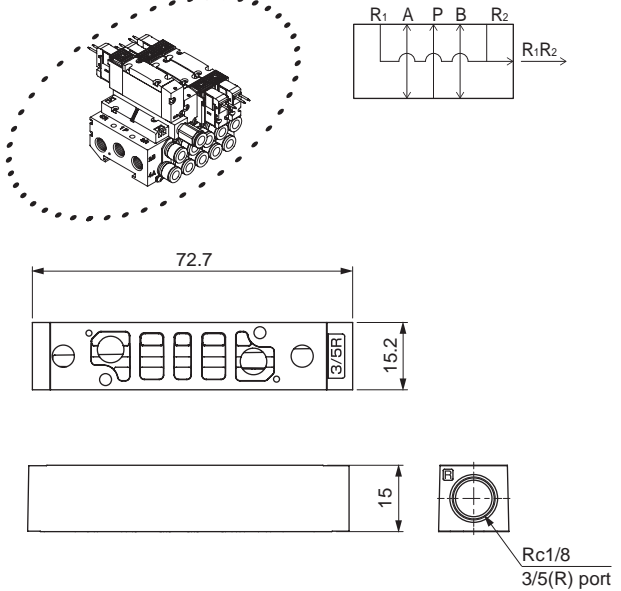
### ● Exhaust spacer

### Dimensions

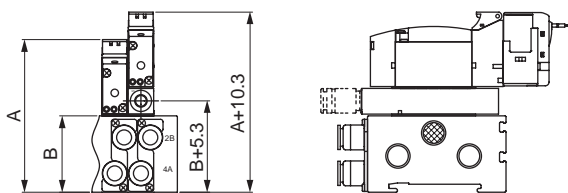
#### ● 4G1



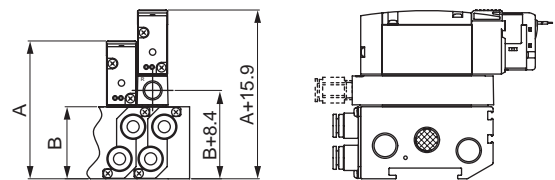
#### ● 4G2



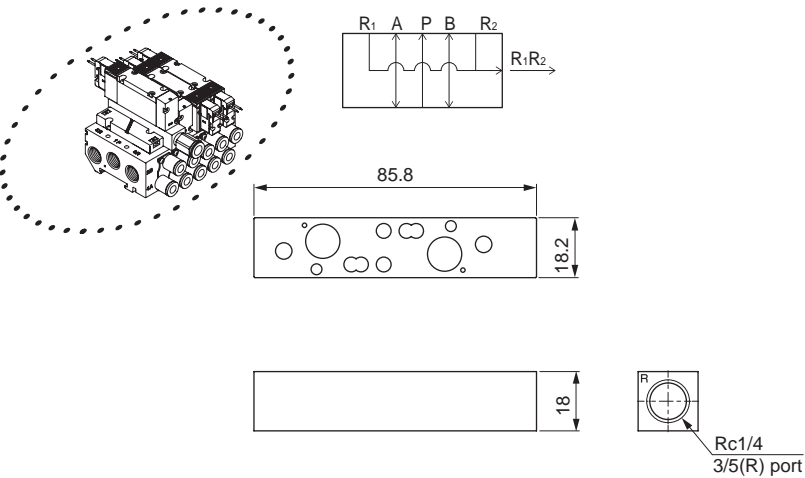
### Dimensions when mounted



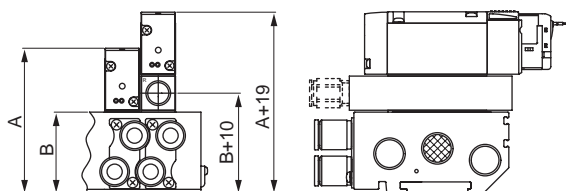
### Dimensions when mounted



#### ● 4G3



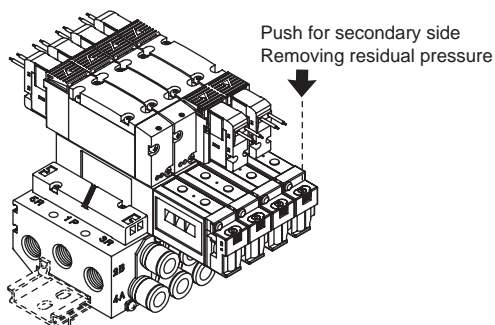
### Dimensions when mounted



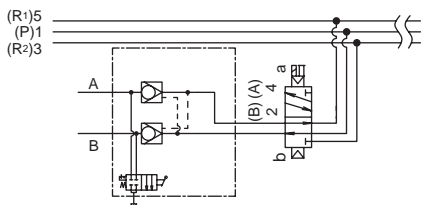
Note: For A and B dimensions, check the dimensions of respective specifications.

## Related products

### ● Spacer pilot check valve



### JIS symbol



Note: Using a cylinder with a large diameter (more than  $\phi 50$  as a guide) with little exhaust restriction (eg, no speed controller, no silencer) may lead to a decrease in intermediate stop accuracy and stopping error. Please be careful.

### Specifications

Spacer pilot check valve	4G1R-PC-M	4G2R-PC-M
Working fluid	Compressed air	
Max. working pressure	MPa 0.7	
Min. working pressure	MPa 0.2	MPa 0.1
Proof pressure	MPa 1.05	
Effective cross-sectional area	mm <sup>2</sup> 1.6 (Solenoid valve)	mm <sup>2</sup> 3.5 (Solenoid valve)
Ambient temperature	°C -5 to 55 (no freezing)	
Working fluid temperature	°C 5 to 55	
Lubrication	(*1) Not required	
Atmosphere	Cannot be used in corrosive gas environment.	
Weight	g 22	g 54

\*1: Use turbine oil Class 1 ISO VG32 for lubrication.  
Note that excessive lubricant may cause unstable operation.

### Discrete model No.

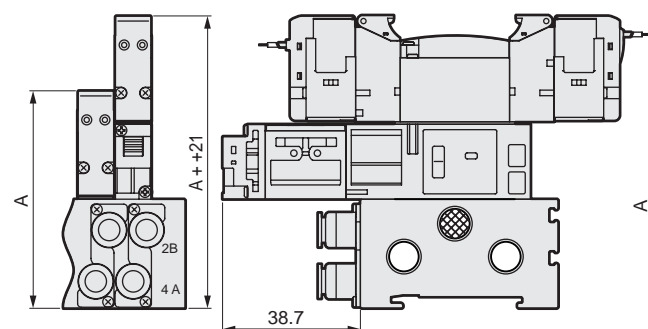
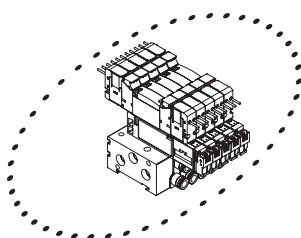
4G1R -PC- M		A Model No.	
A Model No.	Pilot check valve	4G1R	4G2R
B Residual pressure exhaust function			
M	Manual override of non-locking	●	●
M1	Locking manual override	●	●
Blank	Without manual override	●	●

### ⚠ Precautions for model No. selection

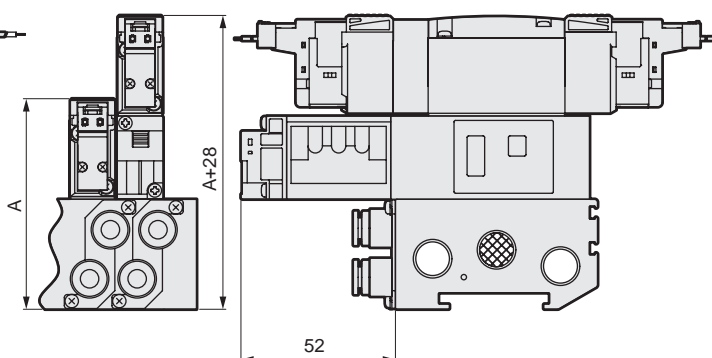
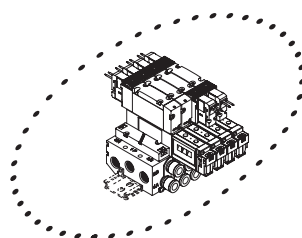
- \*1: Specify the spacer positions in the manifold specifications sheet.
- \*2: Spacer pilot check valve is not available when the fitting for port A/B is elbow.
- \*3: Stacking of spacers is not possible.
- \*4: A spacer cannot be combined with a masking plate.
- \*5: The spacer pilot check valve can be mounted only when the piping method is base piping.

## Dimensions

### ● M4GB1



### ● M4GB2



Note: For A dimensions, check the dimensions of the respective specifications.

4GA/B  
M4GA/B  
MN4GA/B  
4GA/B (master)  
4GB With sensor  
4GD/E  
M4GD/E  
MN4GD/E  
4GA4/B4  
MN3E  
MN4E  
W4GA/B2  
W4GB4  
MN3S0  
MN4S0  
4SA/B0  
4KA/B  
4KA/B (master)  
4F  
4F (master)  
PV5G  
GMF  
PV5  
GMF  
PV5S-0  
3Q  
MV3QR  
3MA/B0  
3PA/B  
P/M/B  
NP/NAP  
NVP  
4G\*0EJ  
4F\*0EX  
4F\*0E  
HMV  
HSV  
2QV  
3QV  
SKH  
Silencer  
TotAirSys (Total Air)  
TotAirSys (Gamma)  
Ending

# M4GA1 to 3/M4GB1 to 3 Series

Related products

## Related products

4GA/B

M4GA/B

MN4GA/B

4GA/B (master)

4GB

With sensor

4GD/E

M4GD/E

MN4GD/E

4GA4/B4

MN3E

MN4E

W4GA/B2

W4GB4

MN3S0

MN4S0

4SA/B0

4KA/B

4KA/B (master)

4F

4F (master)

PV5G

GMF

PV5

GMF

PV5S-0

3Q

MV3QR

3MA/B0

3PA/B

P/M/B

NP/NAP

NVP

4G\*0EJ

4F\*0EX

4F\*0E

HMV

HSV

2QV

3QV

SKH

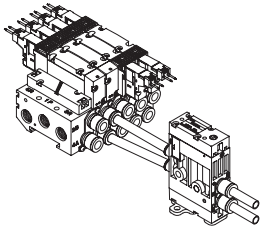
Silencer

TotAirSys (Total Air)

TotAirSys (Gamma)

Ending

### ● Pilot check valve



### How to order

● Discrete model No.

**4G2R - PCS - C4** - ○

● Manifold model No.

**M4G2R - PCS - C4** - ○ - ○ - **5**

Model No.

Pilot check valve

○ Port size (\*1)

○ Option (\*2)

○ Station No.

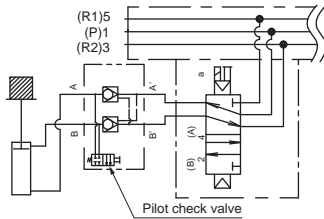
### Specifications

Item	4G2R-PCS-**-*
Effective cross-sectional area	mm <sup>2</sup> 11
Weight	g 200

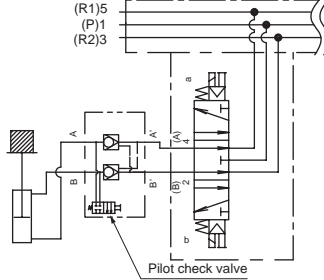
Code	Description	
<b>A Port size</b>		
	Valve side port	Cylinder side port
<b>C4</b>	ø4 Push-in fitting	ø4 Push-in fitting
<b>C6</b>	ø6 Push-in fitting	ø6 Push-in fitting
<b>C8</b>	ø8 Push-in fitting	ø8 Push-in fitting
<b>CL6</b>	ø6 Push-in fitting	ø6 Push-in L fitting (upward)
<b>CL8</b>	ø8 Push-in fitting	ø8 Push-in L fitting (upward)
<b>B Option</b>		
<b>Blank</b>	None	
<b>F</b>	A/B-port filter built in	
<b>M</b>	Manual non-locking	
<b>D</b>	DIN rail mount	
<b>C Station No.</b>		
<b>2</b>	2 stations	
<b>to</b>	to	
<b>10</b>	10 stations	

### JIS symbol

(Position locking)



(Stopping)



Example of leak comparison  
All ports closed (solenoid) valve  
10 cm<sup>3</sup>/min or less  
Pilot check valve (4G2R-PCS)  
0 to 0.3 cm<sup>3</sup>/min

⚠ Depending on use conditions, the pilot check valve body may emit resonance noise due to the air flow when the cylinder operates, but this is not an abnormality. Adjust the pipe length and bore size in that case.

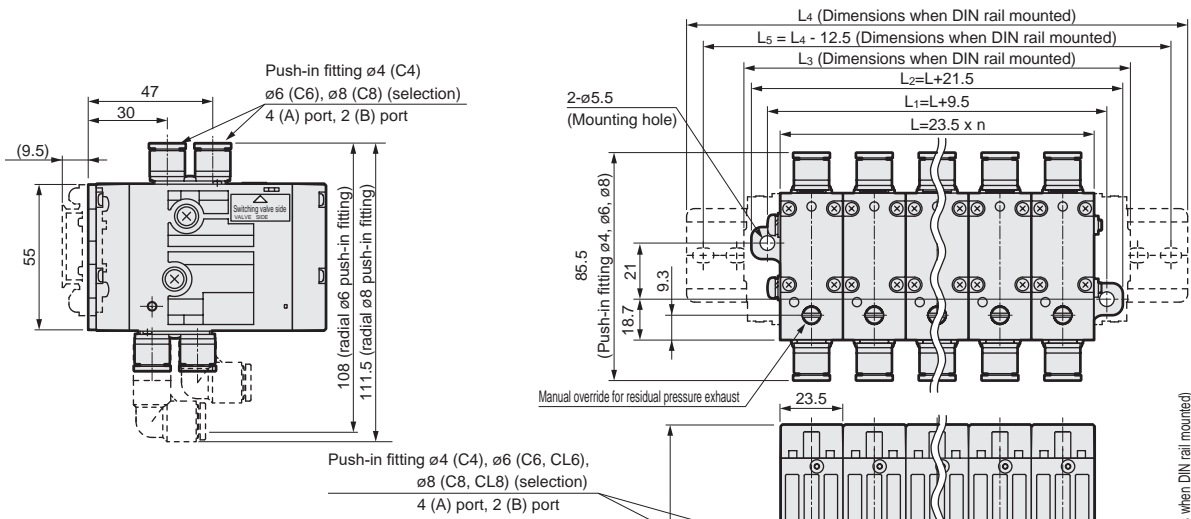
### ⚠ Precautions for model No. selection

\*1 : Contact CKD for information on mixing port sizes.

\*2 : The following applies when Blank is selected as an option.

Manual override : Non-locking/locking common type,  
Mounting method : Direct mounting.

### Dimensions



### DIN rail length

Station No. [C]	1	2	3	4	5	6	7	8	9	10
L3	50.5	74.0	97.5	121.0	144.5	168.0	191.5	215.0	238.5	262.0
L4	100.0	112.5	137.5	162.5	187.5	212.5	237.5	262.5	287.5	312.5
L5	87.5	100.0	125.0	150.0	175.0	200.0	225.0	250.0	275.0	300.0

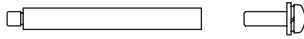


## Related products

● Tie rod kit (for pilot check valve)

(For manifold connection and expansion)

**4G2R - PCS - TR - V1**



A Type (\*1)

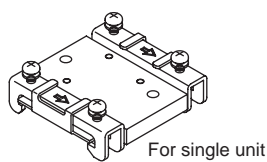
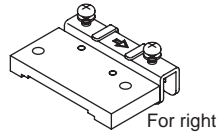
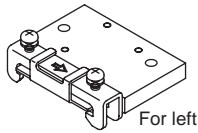
A Type	
V1	For 1 station
V2	For 2 stations
V3	For 3 stations
V4	For 4 stations
V5	For 5 stations

**⚠ Precautions for model No. selection**

\*1: Select the V1 to V5 combination when using six or more stations.

● DIN rail adapter kit (for pilot check valve)

(The DIN rail adapter kit is required for the following reassembly)



**4G2R - PCS - D1**

A Type

Code	Descriptions	DIN rail adapter kit selection list based on changes in specifications				Content
		Change from mounting plate to DIN rail	Add/Remove stations with DIN rail mount			
		For 1 station	2 or more stations	≥2 stations → 1 station	1 station → ≥2 stations	
D1	For right				● (*2)	DIN rail adapter (right) 1, thread 2
D2	Right + left		●			DIN rail adapter (right) 1, DIN rail adapter (left) 1, thread 4
D3	For single unit	●		●		DIN rail adapter (single unit) 1, thread 2

\*2: When changing from 1 station to 2 or more stations, purchase the DIN rail adapter for right (D1), and remove the retainer on one side of the current DIN rail adapter kit (D3).

● Push-in cartridge fitting

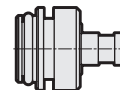
ø1.8 axial

4G1R-JOINT-**CL18**



ø1.8 barbed

4G1R-JOINT-**CF**

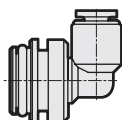


ø1.8L/ø4L/ø6L/ø8L/ø10L type (short elbow)

4G1R-JOINT-**CL18**/**CL4**/**CL6**

4G2R-JOINT-**CL6**/**CL8**

4G3R-JOINT-**CL8**/**CL10**

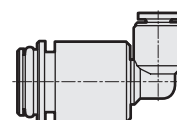


ø1.8L/ø4L/ø6L/ø8L/ø10L type (long elbow)

4G1R-JOINT-**CLL18**/**CLL4**/**CLL6**

4G2R-JOINT-**CLL6**/**CLL8**

4G3R-JOINT-**CLL8**/**CLL10**



4GA/B  
M4GA/B  
MN4GA/B  
4GA/B (master)  
4GB With sensor  
4GD/E  
M4GD/E  
MN4GD/E  
4GA4/B4  
MN3E  
MN4E  
W4GA/B2  
W4GB4  
MN3S0  
MN4S0  
4SA/B0  
4KA/B  
4KA/B (master)  
4F  
4F (master)  
PV5G  
GMF  
PV5  
GMF  
PV5S-0  
3Q  
MV3QR  
3MA/B0  
3PA/B  
P/M/B  
NP/NAP  
NVP  
4G\*0EJ  
4F\*0EX  
4F\*0E  
HNV  
HSV  
2QV  
3QV  
SKH  
Silencer  
TotAirSys (Total Air)  
TotAirSys (Gamma)  
Ending



# M4GB-1/2 Series

Related products

## Related products

4GA/B

M4GA/B

MN4GA/B

4GA/B (master)

4GB With sensor

4GD/E

M4GD/E

MN4GD/E

4GA4/B4

MN3E  
MN4E

W4GA/B2

W4GB4

MN3S0  
MN4S0

4SA/B0

4KA/B

4KA/B (master)

4F

4F (master)

PV5G  
GMF

PV5  
GMF

PV5S-0

3Q

MV3QR

3MA/B0

3PA/B

P/M/B

NP/NAP  
NVP

4G\*0EJ

4F\*0EX

4F\*0E

HMV  
HSV

2QV  
3QV

SKH

Silencer

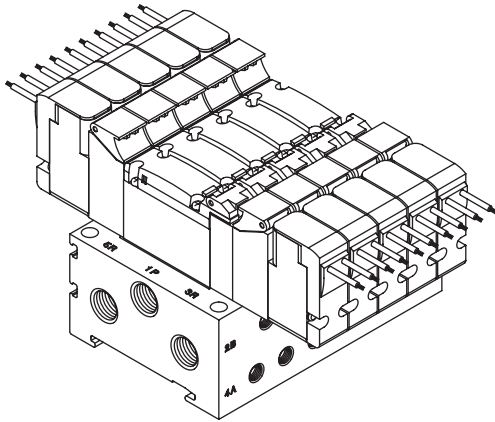
TotAirSys  
(Total Air)

TotAirSys  
(Gamma)

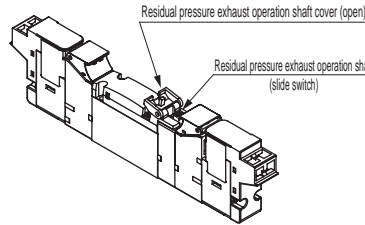
Ending

### Residual pressure exhaust option

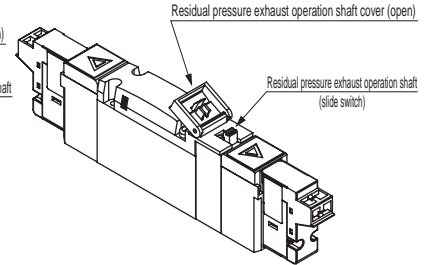
For manifolds



Discrete valve  
4GB1

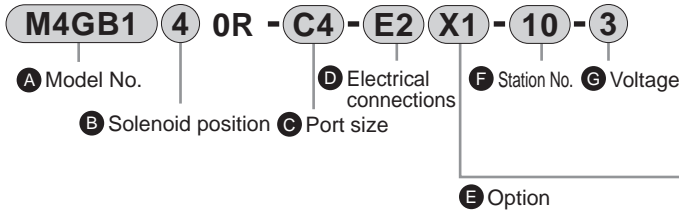


4GB2



### Example of model No.

#### Manifold model No.



Pressure sensor (G1, G2) and residual pressure exhaust structure (X, X1) cannot be selected simultaneously.  
Exhaust structure is only compatible with 4GB1 and 4GB2 valve positions 3 and 4.

\* Refer to How to order for each series for details about model numbers.

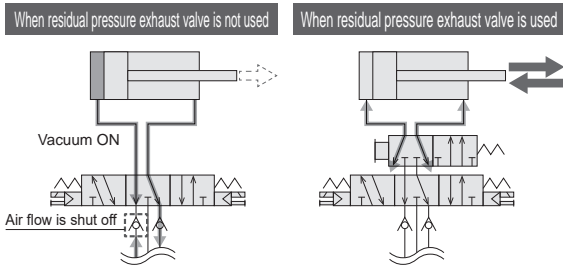
#### A Model No.

M4GB1      M4GB2

Code	Description	M4GB1	M4GB2
<b>E Option</b>			
X	Non-locking exhaust structure	●	●
X1	Locking exhaust structure	●	●

### Applications

- 3-position all ports closed residual pressure exhaust for emergency stop
- Rod transfer after intermediate cylinder stop for three-position APR connection (with malfunction prevention valve)

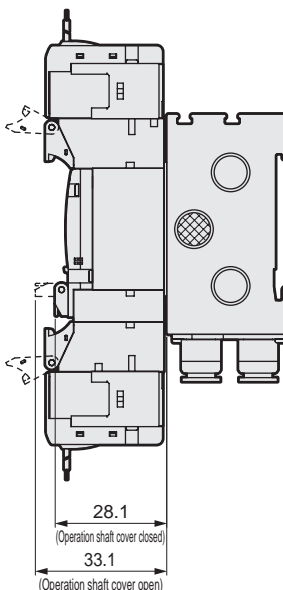


Check valve shuts off air flow. The cylinder rod cannot be adjusted.

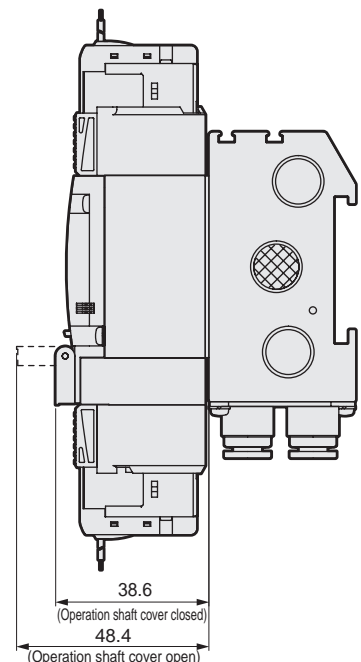
The residual pressure discharger enables communication with the atmosphere. The cylinder rod can be adjusted.

### Dimensions

#### ● M4GB1



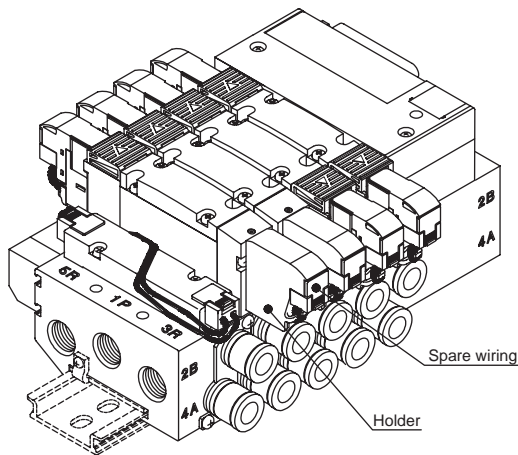
#### ● M4GB2



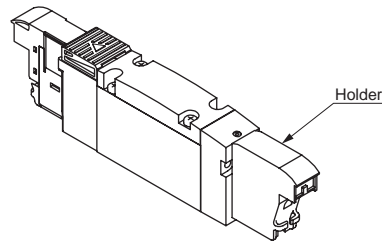
## Related products

### ● Double wiring (single spare wiring)

For manifolds



For discrete valves (2-position single)



A holder for retaining the socket assembly is included. (Not included for A type sockets.)

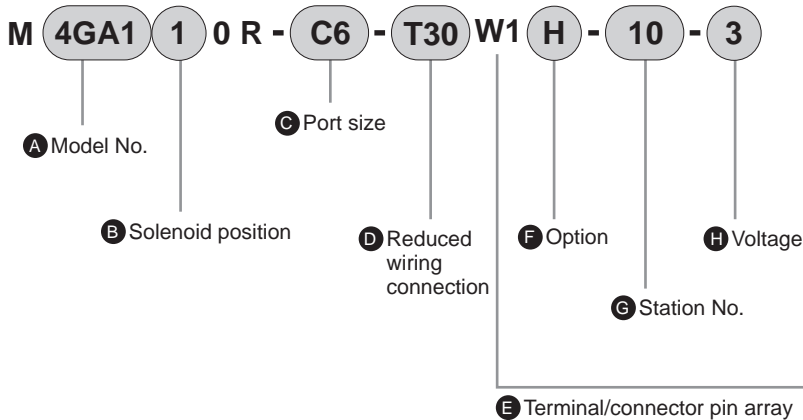
This can be used to hold the socket assembly no longer required when changing the valve from a double solenoid to a single solenoid.

Spare wiring (holder and A type socket assembly) is included on the cap side for single solenoid valves.

This simplifies the workflow when changing valves from a single solenoid to a double solenoid, as you do not need to prepare the A type socket assembly separately.

### Example of model No.

#### ● Manifold model No. (example)



Code	Content
<b>E</b>	Terminal/connector pin array
W1	Double wiring (with single spare wiring)

\* Refer to How to order for each series for details about model numbers.

4GA/B
M4GA/B
MN4GA/B
4GA/B (master)
4GB With sensor
4GD/E
M4GD/E
MN4GD/E
4GA4/B4
MN3E
MN4E
W4GA/B2
W4GB4
MN3S0
MN4S0
4SA/B0
4KA/B
4KA/B (master)
4F
4F (master)
PV5G
GMF
PV5
GMF
PV5S-0
3Q
MV3QR
3MA/B0
3PA/B
P/M/B
NP/NAP
NVP
4G*0EJ
4F*0EX
4F*0E
HMV
HSV
2QV
3QV
SKH
Silencer
TotAirSys (Total Air)
TotAirSys (Gamma)
Ending

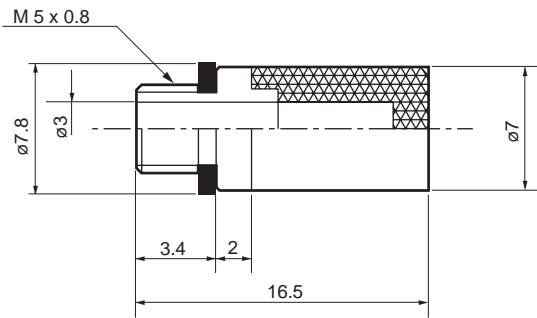
# M4GA1 to 3/M4GB1 to 3 Series

Related products

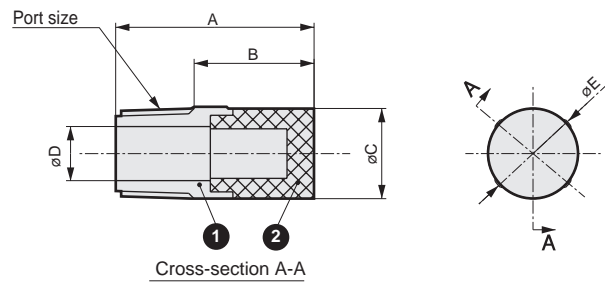
Related products

## ● Silencer

### ● SLM-M5

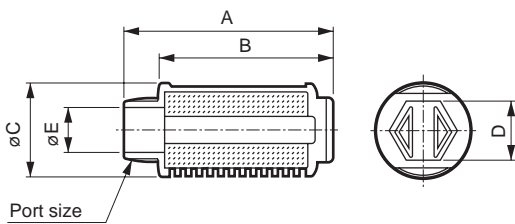


### ● SLW-6S, 8S



Model No.	Port size	A	B	C	D	E
SLW-6S	R 1/8	22	13.3	10.5	6	10.5
SLW-8S	R 1/4	28	19	14.8	9	15.4

### ● SLW-6A, 8A, 10A, 10L

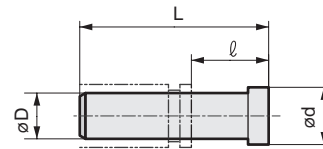


\*1: Select the silencer mounting after confirming the dimensions.

\*2: Use SLW-8S for the M4GA2 DIN rail mount. Interference occurs if SLW-8A is used.

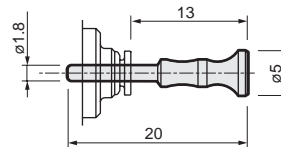
Code	Noise reduction effect dB (A)	Eff. X-sectional area mm <sup>2</sup>	A	B	C	D	E	Port size
SLW-6A	30 and over	10	34.5	28	16.5	10	7	R 1/8
SLW-8A	30 and over	20	44.5	36	20	13	8.5	R 1/4
SLW-10A	30 and over	30	58.5	48.5	25.5	17	12	R 3/8
SLW-10L	30 and over	60	68.2	58.4	28	19	12	R 3/8

## ● Blanking plug

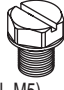



Model No.	D	L	l	d
GWP 4-B	ø4	27	16	6
GWP 6-B	ø6	29	11.5	8
GWP 8-B	ø8	33	14	10
GWP 10-B	ø10	40	18.5	12

### PG-P2-B (for ø1.8)

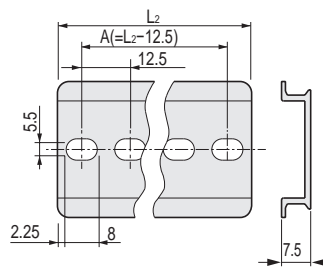


## ● Plug type

Part name	Model No.	For bore size	Appearance
Threaded plug	4G1R-M5P	M5	 (FPL-M5)
	4G2R-06P	Rc1/8	 Hexagon socket plug
	4G3R-08P	Rc1/4	
	4G3R-10P	Rc3/8	
	4G2R-08NP	NPT1/8	
	4G3R-08NP	NPT1/4	
	4G3R-10NP	NPT3/8	
	4G2R-06GP	G1/8	
	4G3R-08GP	G1/4	
	4G3R-10GP	G3/8	

## ● DIN rail

### N4GR-BAA



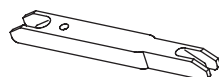
\*1: Rail lengths not included in the list are made to order products.

L: Manifold length	L: Rail length	A: Mounting pitch
35	47.5 or less	87.5
Over 47.5	60 or less	100
60	72.5	112.5
72.5	85	125
85	97.5	137.5
97.5	110	150
110	122.5	162.5
122.5	135	175
135	147.5	187.5
147.5	160	200
160	172.5	212.5
172.5	185	225
185	197.5	237.5
197.5	210	250
210	222.5	262.5
222.5	235	275
235	247.5	287.5
247.5	260	300
260	272.5	312.5
272.5	285	325
285	297.5	337.5
297.5	310	350
310	322.5	362.5
322.5	335	375
335	347.5	387.5
347.5	360	400
360	372.5	412.5
372.5	385	425
385	397.5	437.5
397.5	410	450
410	422.5	462.5
422.5	435	475
435	447.5	487.5
447.5	460	500
460	472.5	512.5
472.5	485	525
485	497.5	537.5
497.5	510	550

If the length exceeds 510, calculate using a multiple of 12.5.

## ● Push-in fitting tube remover

For ø1.8/ø4 push-in fitting  
4GR-EOT18-4



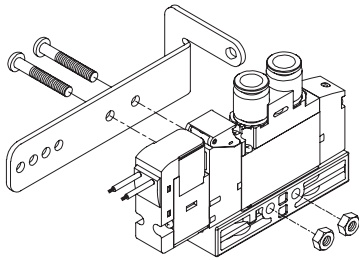
For ø4/ø6 push-in fitting  
4GR-EOT4-6

# M4GA1 to 3/M4GB1 to 3 Series

Related parts

## Related parts

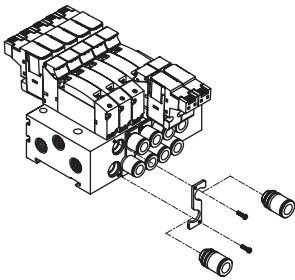
### (1) Mounting plate (P) kit



#### Mounting (P) kit

Model	Kit model No.	Set parts
3GA1/4GA1	4G1R-MOUNT-PLATE-KIT	Mounting plate, 2 set screws, 2 nuts
3GA2/4GA2	4G2R-MOUNT-PLATE-KIT	Mounting plate, 2 set screws
3GA3/4GA3	4G3R-MOUNT-PLATE-KIT	Mounting plate, 2 set screws

### (2) Fitting stopper plate kit



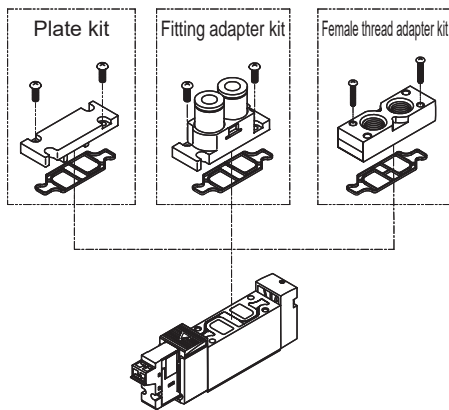
#### Fitting stopper plate kit

Model	Kit model No.
M4G1	4G1R-JNT-STP-PLATE-KIT-*1
M4G2	4G2R-JNT-STP-PLATE-KIT-*2
M4G3	4G3R-JNT-STP-PLATE-KIT

\*1: Specify "C8" for C8 types.

\*2: Specify "C10" for C10 types.

### (3) Adapter related kits



#### Plate kit

Model	Kit model No.	Set parts
3GB1/4GB1	4G1R-PLATE-KIT	Plate, gasket, 2 set screws
3GB2/4GB2	4G2R-PLATE-KIT	Plate, gasket, 2 set screws
4GB3	4G3R-PLATE-KIT	Plate, gasket, 2 set screws

### Fitting adapter kit

**4G1** R - JNT - ADAPTOR - KIT - **C4** **NC** - **F**

**A** Model No.

**B** Port size

**C** NC/NO

**D** Option

**A** Model No.

	3G1	3G2	3G3	4G1	4G2	4G3
<b>B Port size</b>						
<b>CF</b> ø1.8 barbed	●			●		
<b>C18</b> ø1.8 straight	●			●		
<b>C4</b> ø4 straight	●					
<b>C6</b> ø6 straight	●	●	●		●	●
<b>C8</b> ø8 straight		●	●		●	●
<b>C10</b> ø10 straight			●			●
<b>C3N</b> ø1/8" straight	●			●		
<b>C4N</b> ø5/32" straight	●			●		
<b>C6N</b> ø1/4" straight		●			●	
<b>C8N</b> ø5/16" straight		●	●		●	●
<b>C10N</b> ø3/8" straight			●			●
<b>C NC/NO</b>						
<b>NC</b> For 3GA □10	●	●	●			
<b>NO</b> For 3GA □110	●	●	●			
<b>Blank</b> Other than 3GA □10 or 3GA □110	●	●		●	●	●
<b>D Option</b>						
<b>Blank</b>	●	●	●	●	●	●
<b>F</b> A/B-port filter built in	●	●	●	●	●	●

Note: Fitting adaptor (with fitting), gasket and set screws (2 pieces) are in a set.

### Female thread adapter kit

Model	Kit model No.	Set parts
3GA1/4GA1	4G1R-FML-ADAPTOR-KIT- <u>bore size</u> - <u>option</u>	Female thread adapter, gasket, 2 set screws
3GA2/4GA2	4G2R-FML-ADAPTOR-KIT- <u>bore size</u> - <u>option</u>	Female thread adapter, gasket, 2 set screws
3GA3/4GA3	4G3R-FML-ADAPTOR-KIT- <u>bore size</u> - <u>option</u>	Female thread adapter, gasket, 2 set screws, 2 body set screws

Specify the option "F" when using the A/B port filter integrated.

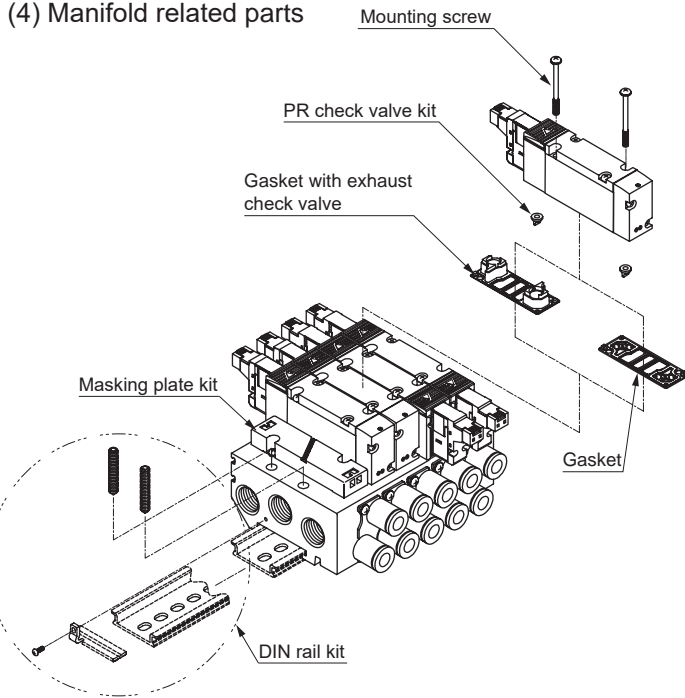
4GA/B  
M4GA/B  
MN4GA/B  
4GA/B (master)  
4GB With sensor  
4GD/E  
M4GD/E  
MN4GD/E  
4GA4/B4  
MN3E  
MN4E  
W4GA/B2  
W4GB4  
MN3S0  
MN4S0  
4SA/B0  
4KA/B  
4KA/B (master)  
4F  
4F (master)  
PV5G  
GMF  
PV5  
GMF  
PV5S-0  
3Q  
MV3QR  
3MA/B0  
3PA/B  
P/M/B  
NP/NAP  
NVP  
4G\*0EJ  
4F\*0EX  
4F\*0E  
HNV  
HSV  
2QV  
3QV  
SKH  
Silencer  
TotAirSys (Total Air)  
TotAirSys (Gamma)  
Ending

# M4GA1 to 3/M4GB1 to 3 Series

Related parts

## Related parts

### (4) Manifold related parts



### Masking plate kit

Model	Model No.	Content	Remarks
M3G1/M4G1	4G1R-MP	Masking plate	* 4G3R-MP has two PR check valves included.
M3G2/M4G2	4G2R-MP	Gasket	
M3G3/M4G3	4G3R-MP	2 mounting screws	

### Gasket

Model	Part model No.
3G1/4G1	4G1R-GASKET
3G1/4G1 (For masking plate)	4G1R-MP-GASKET
3G2/4G2	4G2R-GASKET
3G2/4G2 (For masking plate)	4G2R-MP-GASKET
3G3/4G3	4G3R-GASKET

### Gasket with exhaust check valve

Model	Part model No.
3G1/4G1	4G1R-CHECK-VALVE
3G2/4G2	4G2R-CHECK-VALVE
3G3/4G3	4G3R-CHECK-VALVE

### PR check valve kit (2 per set)

Model	Kit model No.
3G1/4G1	4G1R-PR
3G2/4G2	4G2R-PR
3G3/4G3	4G3R-PR

### Mounting screw (10 per set)

Model	Part model No.
3G1/4G1	4G1R-SET-SCREW
3G2/4G2	4G2R-SET-SCREW
3G3/4G3	4G3R-SET-SCREW
3GA3/4GA3 (for 08 bore size)	4G3R-SET-SCREW-L

### DIN rail kit

Model	Model No.	Content
M4G1	4GA1R-BAA [length] - [option] D	DIN rail, 2 set screws, 2 lock nuts
	4GB1R-BAA [length] - [option] D	
M4G2	4GA2R-BAA [length] - [option] D	DIN rail/2 holders, 2 tapping screws, 4 set screws
	4GB2R-BAA [length] - [option] D	
M4G3	4GA3R-BAA [length] - [option] D	
	4GB3R-BAA [length] - [option] D	

Specify the length "0" when the DIN rail is not required.

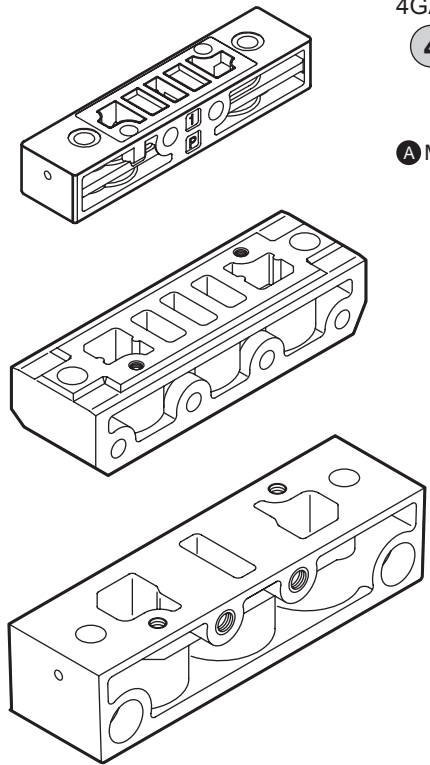
Specify the [option] "K" when using with the manifold base for external pilot.

Set the DIN rail length, referring to the working manifold dimensions and DIN rail length quick reference list (page 308).

- 4GA/B
- M4GA/B
- MN4GA/B
- 4GA/B (master)
- 4GB With sensor
- 4GD/E
- M4GD/E
- MN4GD/E
- 4GA4/B4
- MN3E MN4E
- W4GA/B2
- W4GB4
- MN3S0 MN4S0
- 4SA/B0
- 4KA/B
- 4KA/B (master)
- 4F
- 4F (master)
- PV5G GMF
- PV5 GMF
- PV5S-0
- 3Q
- MV3QR
- 3MA/B0
- 3PA/B
- P/M/B
- NP/NAP NVP
- 4G\*0EJ
- 4F\*0EX
- 4F\*0E
- HMV HSV
- 2QV 3QV
- SKH
- Silencer
- TotAirSys (Total Air)
- TotAirSys (Gamma)
- Ending

## Related parts

### (5) Sub-plate



4GA Piping adapter

**4G1** R - ADAPTOR - **M5** -

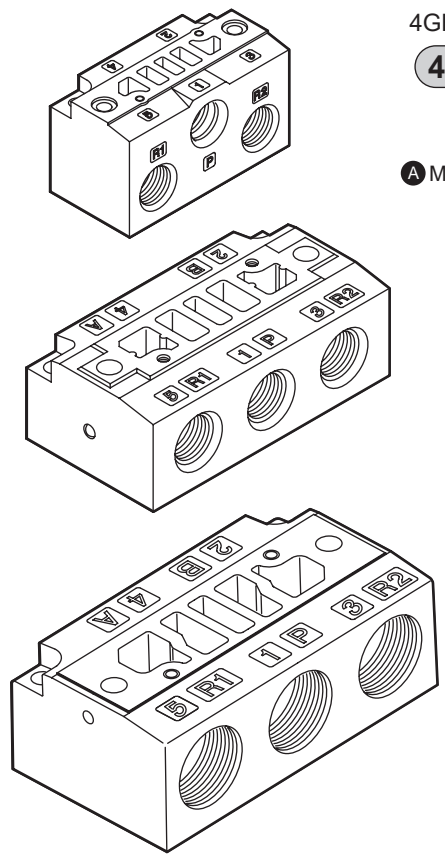
**A** Model No.

**B** Port size

**C** Option

		<b>A Model No.</b>		
		4G1	4G2	4G3
<b>B Port size (P/R1/R2 port)</b>				
<b>M5</b>	M5	●		
<b>06</b>	Rc1/8		●	
<b>08</b>	Rc1/4			●
<b>06N</b>	NPT1/8		●	
<b>08N</b>	NPT1/4			○
<b>06G</b>	G1/8		●	
<b>C Option</b>				
<b>P</b>	With mounting plate (attachment)	●	●	●

■ is not available.  
○ indicates a custom order.



4GB single sub-plate

**4G1** R - SUB - BASE - **06** -

**A** Model No.

**B** Port size

**C** Option

		<b>A Model No.</b>		
		4G1	4G2	4G3
<b>B Port size (A/B/P/R1/R2 port)</b>				
<b>06</b>	Rc1/8	●		
<b>08</b>	Rc1/4		●	●
<b>10</b>	Rc3/8			●
<b>06N</b>	NPT1/8	○		
<b>08N</b>	NPT1/4		○	○
<b>10N</b>	NPT3/8			○
<b>06G</b>	G1/8	○		
<b>08G</b>	G1/4		○	
<b>C Option</b>				
<b>K</b>	External pilot	●	●	●
<b>F</b>	A/B port filter built in *1	●	●	●

\*1: A filter is built into the P port as standard.

■ is not available.  
○ indicates a custom order.

- 4GA/B
- M4GA/B
- MN4GA/B
- 4GA/B (master)
- 4GB With sensor
- 4GD/E
- M4GD/E
- MN4GD/E
- 4GA4/B4
- MN3E MN4E
- W4GA/B2
- W4GB4
- MN3S0 MN4S0
- 4SA/B0
- 4KA/B
- 4KA/B (master)
- 4F
- 4F (master)
- PV5G GMF
- PV5 GMF
- PV5S-0
- 3Q
- MV3QR
- 3MA/B0
- 3PA/B
- P/M/B
- NP/NAP NVP
- 4G\*0EJ
- 4F\*0EX
- 4F\*0E
- HMV HSV
- 2QV 3QV
- SKH
- Silencer
- TotAirSys (Total Air)
- TotAirSys (Gamma)
- Ending



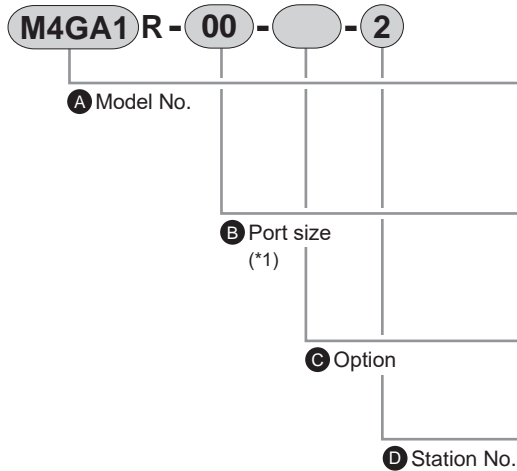
# M4GA1 to 3/M4GB1 to 3 Series

Related parts

## Related parts

### (6) Manifold sub-plate kit individual wiring

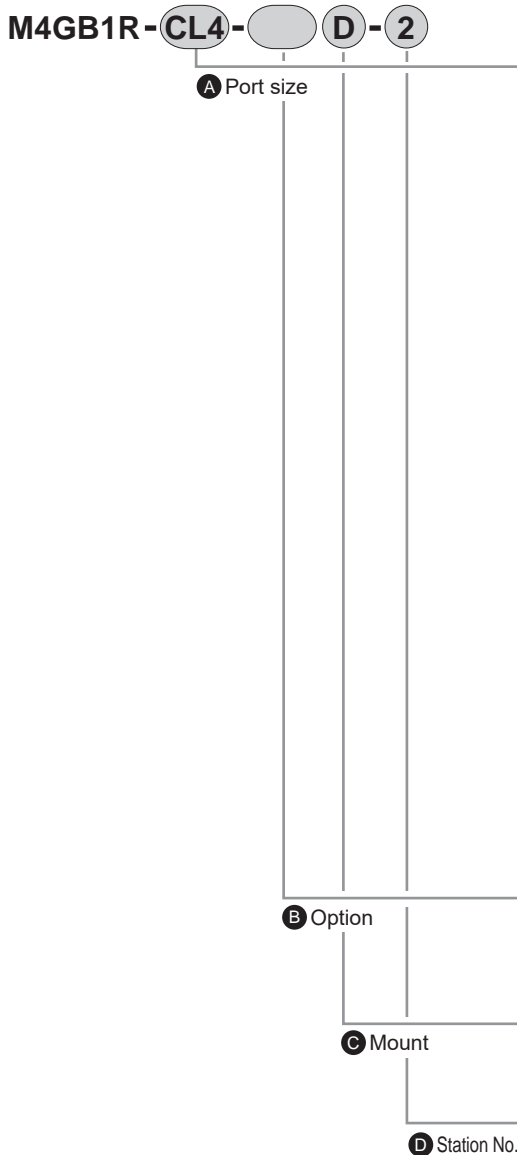
#### ● M4GA Sub-plate



Code	Description
<b>A Model No.</b>	
<b>M4GA1</b>	Metal base, 4G1 size, body piping
<b>M4GA2</b>	Metal base, 4G2 size, body piping
<b>M4GA3</b>	Metal base, 4G3 size, body piping
<b>B Port size</b>	
<b>00</b>	Rc thread
<b>00N</b>	NPT thread
<b>00G</b>	G thread
<b>C Option</b>	
<b>Blank</b>	
<b>K</b>	External pilot
<b>D Station No.</b>	
<b>2</b>	2 stations
<b>to</b>	to
<b>20</b>	Refer to the specifications page for the max. station number.

\*1: This is P/R1/R2 port size.

#### ● M4GB1 Sub-plate



Code	Description	
<b>A Port size</b>		
<b>Port</b>	<b>4(A), 2(B) port</b>	<b>P/R1/R2 port</b>
<b>CF</b>	ø1.8 barbed fitting (compatible tube UP-9102-**)	Rc1/8
<b>C18</b>	ø1.8 push-in fitting (compatible tube UP-9402-**)	
<b>C4</b>	ø4 push-in fitting	
<b>C6</b>	ø6 push-in fitting	
<b>C8</b>	ø8 push-in fitting (*1)	
<b>CL18</b>	ø1.8 push-in L-fitting upward (compatible tube UP-9402-**) (upward)	
<b>CL4</b>	ø4 push-in L-fitting (upward)	
<b>CL6</b>	ø6 push-in L-fitting (upward)	
<b>CD18</b>	ø1.8 push-in L-fitting downward (compatible tube UP-9402-**) (downward)	
<b>CD4</b>	ø4 push-in L-fitting (downward)	
<b>CD6</b>	ø6 push-in L-fitting (downward)	
<b>M5</b>	M5	
<b>Port</b>	<b>4(A), 2(B) port</b>	<b>P/R1/R2 port</b>
<b>C3N</b>	ø1/8" push-in fitting	NPT1/8
<b>C4N</b>	ø5/32" push-in fitting	
<b>CL3N</b>	ø1/8" push-in L-fitting (upward) (*1)	
<b>CL4N</b>	ø5/32" push-in L-fitting (upward) (*1)	
<b>M5N</b>	M5	
<b>Port</b>	<b>4(A), 2(B) port</b>	<b>P/R1/R2 port</b>
<b>C4G</b>	ø4 push-in fitting	G1/8
<b>C6G</b>	ø6 push-in fitting	
<b>CL4G</b>	ø4 push-in L-fitting (upward) (*1)	
<b>CL6G</b>	ø6 push-in L-fitting (upward) (*1)	
<b>M5G</b>	M5	
<b>B Option</b>		
<b>Blank</b>		
<b>K</b>	External pilot	
<b>F</b>	A/B port filter built in (*2)	
<b>C Mount</b>		
<b>Blank</b>	Direct mount	
<b>D</b>	DIN rail mount (*3)	
<b>D Station No.</b>		
<b>2</b>	2 stations	
<b>to</b>	to	
<b>20</b>	Refer to the specifications page for the max. station number.	

\*1: Available as custom order.

\*2: A filter is built into the P-port as standard.

\*3: The DIN rail kit needs to be prepared separately.



# M4GA1 to 3/M4GB1 to 3 Series

Related parts

## Related parts

### (6) Manifold sub-plate kit individual wiring

● M4GB2/M4GB3 Sub-plate

**M4GB2** R - **CL4** - **2**

**B** Port size

**C** Option

**D** Station No.

Code		Description	A Model No.	
			M4GB2	M4GB3
<b>B Port size</b>				
Port	4(A), 2(B) port		P/R1/R2 port (1) = Rc 1/4 (2) = Rc 3/8	
C4	ø4 push-in fitting		(1)	
C6	ø6 push-in fitting		(1)	(2)
C8	ø8 push-in fitting		(1)	(2)
C10	ø10 push-in fitting	(*1)	(1)	(2)
CL6	ø6 push-in L-fitting (upward)		(1)	
CL8	ø8 push-in L-fitting (upward)		(1)	(2)
CL10	ø10 push-in L-fitting (upward)			(2)
CD6	ø6 push-in L-fitting (downward)		(1)	
CD8	ø8 push-in L-fitting (downward)		(1)	(2)
CD10	ø10 push-in L-fitting (downward)			(2)
06	Rc1/8		(1)	
08	Rc1/4			(2)
Port	4(A), 2(B) port		P/R1/R2 port (3) = NPT1/4, (4) = NPT3/8	
C6N	ø1/4" push-in fitting		(3)	
C8N	ø5/16" push-in fitting		(3)	(4)
C10N	ø3/8" push-in fitting			(4)
CL6N	ø1/4" push-in L-fitting (upward)	(*1)	(3)	
CL8N	ø5/16" push-in L-fitting (upward)	(*1)	(3)	
06N	NPT1/8		(3)	
08N	NPT1/4	(*1)		(4)
Port	4(A), 2(B) port		P/R1/R2 port (5) = G1/4	
C4G	ø4 push-in fitting		(5)	
C6G	ø6 push-in fitting		(5)	
C8G	ø8 push-in fitting		(5)	
CL6G	ø6 push-in L-fitting (upward)	(*1)	(5)	
CL8G	ø8 push-in L-fitting (upward)	(*1)	(5)	
06G	G1/8		(5)	
<b>C Option</b>				
Blank				
K	External pilot			
F	A/B port filter built in	(*2)		
<b>D Station No.</b>				
2	2 stations			
to	to			
20	Refer to the specifications page for the max. station number.			

\*1: Available as custom order.

\*2: A filter is built into the P port as standard.

\*3: Direct mount/DIN rail mount are common.

\*4: The DIN rail kit needs to be prepared separately.

4GA/B

M4GA/B

MN4GA/B

4GA/B  
(master)

4GB  
With sensor

4GD/E

M4GD/E

MN4GD/E

4GA4/B4

MN3E  
MN4E

W4GA/B2

W4GB4

MN3S0  
MN4S0

4SA/B0

4KA/B

4KA/B  
(master)

4F

4F  
(master)

PV5G  
GMF

PV5  
GMF

PV5S-0

3Q

MV3QR

3MA/B0

3PA/B

P/M/B

NP/NAP  
NVP

4G\*0EJ

4F\*0EX

4F\*0E

HMV  
HSV

2QV  
3QV

SKH

Silencer

TotAirSys  
(Total Air)

TotAirSys  
(Gamma)

Ending

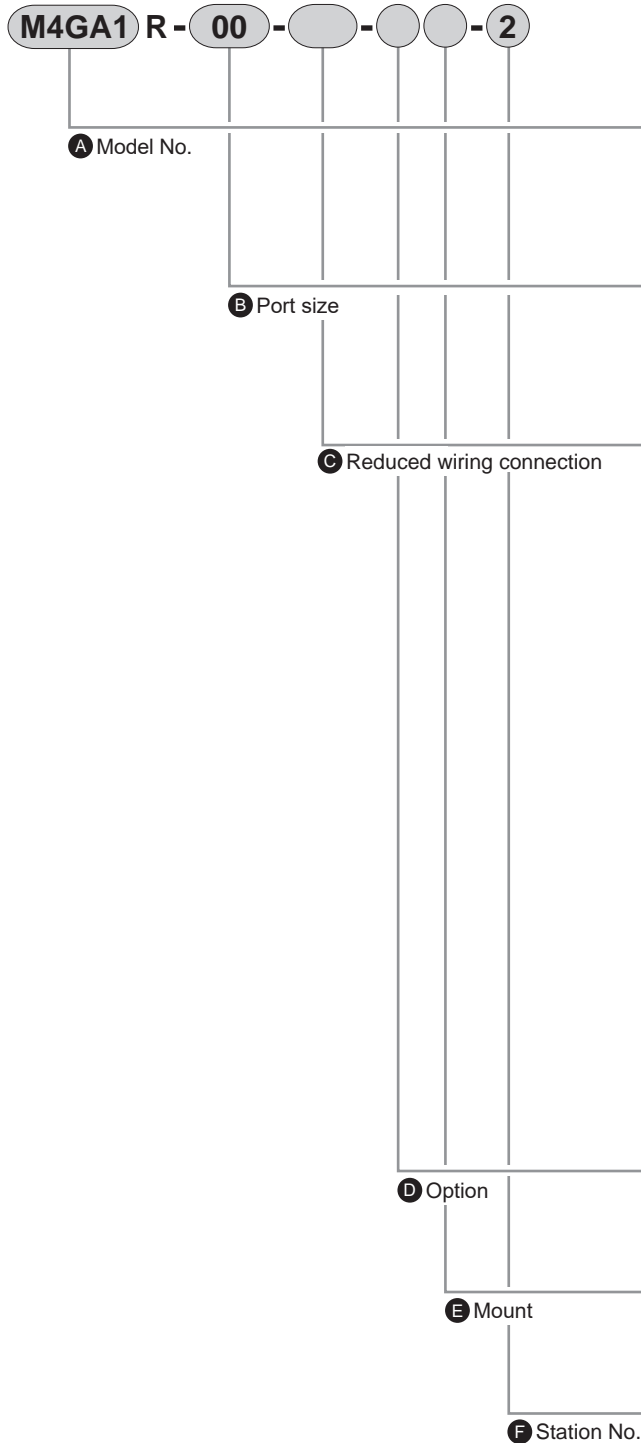
# M4GA1 to 3/M4GB1 to 3 Series

Related parts

## Related parts

(7) Manifold sub-plate kit reduced wiring

● M4GA Sub-plate



Code	Description
<b>A Model No.</b>	
<b>M4GA1</b>	Metal base, 4G1 size, body piping
<b>M4GA2</b>	Metal base, 4G2 size, body piping
<b>M4GA3</b>	Metal base, 4G3 size, body piping
<b>B Port size</b>	
<b>00</b>	M5/Rc
<b>00N</b>	NPT
<b>00G</b>	G thread
<b>C Reduced wiring connection</b>	
<b>T10</b>	Common terminal block (M3 thread) <small>Left-side spec</small>
<b>T10R</b>	<small>Right-side spec</small>
<b>T11</b>	Common terminal block (clamping) <small>Left-side spec</small>
<b>T11R</b>	<small>Right-side spec</small>
<b>T30</b>	D sub-connector <small>Left-side spec</small>
<b>T30R</b>	<small>Right-side spec</small>
<b>T50</b>	20-pin flat cable connector (with power supply terminal) <small>Left-side spec</small>
<b>T50R</b>	<small>Right-side spec</small>
<b>T51</b>	20-pin flat cable connector (without power supply terminal) <small>Left-side spec</small>
<b>T51R</b>	<small>Right-side spec</small>
<b>T52</b>	10-pin flat cable connector (without power supply terminal) <small>Left-side spec</small>
<b>T52R</b>	<small>Right-side spec</small>
<b>T53</b>	26-pin flat cable connector (without power supply terminal) <small>Left-side spec</small>
<b>T53R</b>	<small>Right-side spec</small>
<b>T56</b>	20-pin flat cable connector (without power supply terminal) <small>Left-side spec</small> For serial transmission OPP3 device unit
<b>T81</b>	For serial transmission device unit OPP7 connection 16 points <small>Left-side spec</small>
<b>T82</b>	For serial transmission device unit OPP7 connection 32 points <small>Left-side spec</small>
<b>D Option</b>	
<b>Blank</b>	
<b>K</b>	External pilot
<b>E Mount</b> <sup>*1</sup>	
<b>Blank</b>	Direct mount
<b>D</b>	DIN rail mount <sup>*2</sup>
<b>F Station No.</b>	
<b>2</b>	2 stations
<b>to</b>	to
<b>20</b>	Refer to the specifications page for the max. station number.

\*1: For T8\*, select one mounting.

The only alternative to T8\* is blank.

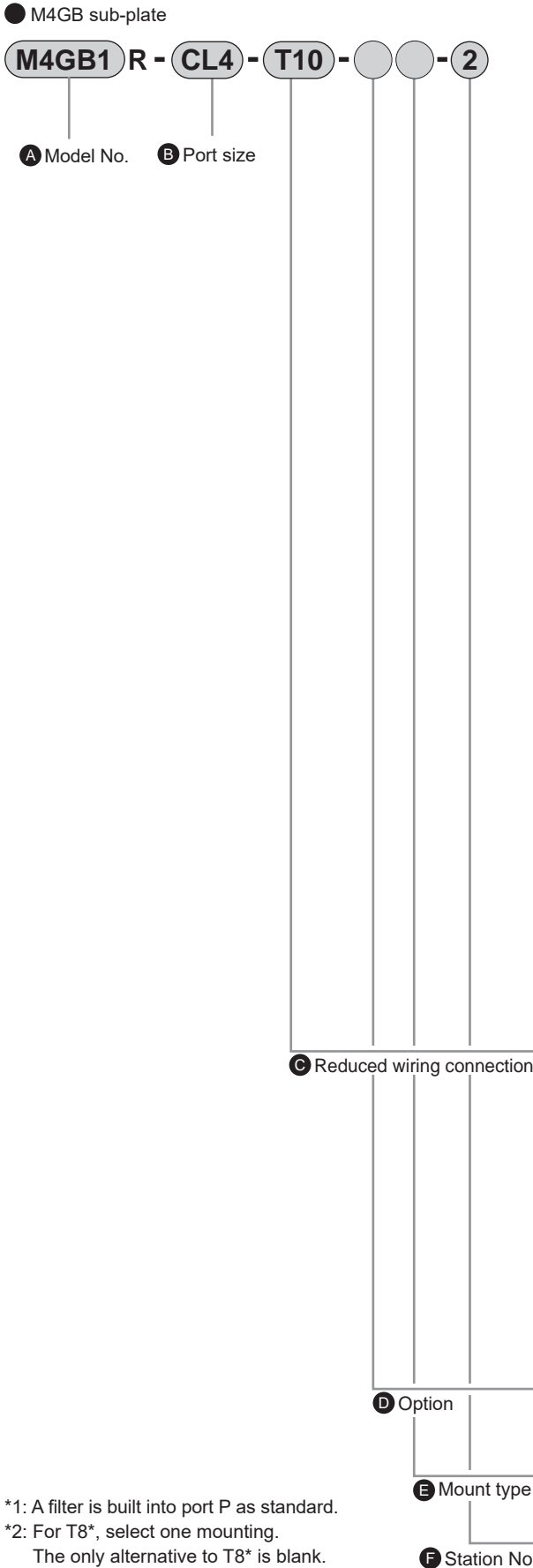
\*2: The DIN rail kit must be prepared separately.

# M4GA1 to 3/M4GB1 to 3 Series

Related parts

## Related parts

### (7) Manifold sub-plate kit reduced wiring



- \*1: A filter is built into port P as standard.
- \*2: For T8\*, select one mounting.  
The only alternative to T8\* is blank.
- \*3: The DIN rail kit must be prepared separately.

		A Model No.		
		M4GB1	M4GB2	M4GB3
Code	Description			
<b>A Model No.</b>				
M4GB1	Metal base 4G1 size base piping			
M4GB2	Metal base 4G2 size base piping			
M4GB3	Metal base 4G3 size base piping			
<b>B Port size</b>				
Port	4(A), 2(B) port	Port P/R1/R2 (1) = Rc1/8 (2) = Rc1/4 (3) = Rc3/8		
CF	ø1.8 barbed fitting (compatible tube UP-9102-**) (1)	(1)		
C18	ø1.8 push-in fitting (compatible tube UP-9402-**) (1)	(1)		
C4	ø4 push-in fitting (1) (2)	(1)	(2)	
C6	ø6 push-in fitting (1) (2) (3)	(1)	(2)	(3)
C8	ø8 push-in fitting *5, *6 (1) (2) (3)	(1)	(2)	(3)
C10	ø10 push-in fitting *5, *6 (2) (3)		(2)	(3)
CL18	ø1.8 push-in L-fitting upward (compatible tube UP-9402-**) (1)	(1)		
CL4	ø4 push-in L-fitting (upward) (1)	(1)		
CL6	ø6 push-in L-fitting (upward) (1) (2)	(1)	(2)	
CL8	ø8 push-in L-fitting (upward) (2) (3)		(2)	(3)
CL10	ø10 push-in L-fitting (upward) (3)			(3)
CD18	ø1.8 push-in L-fitting downward (compatible tube UP-9402-**) (1)	(1)		
CD4	ø4 push-in L-fitting (downward) (1)	(1)		
CD6	ø6 push-in L-fitting (downward) (1) (2)	(1)	(2)	
CD8	ø8 push-in L-fitting (downward) (2) (3)		(2)	(3)
CD10	ø10 push-in L-fitting (downward) (3)			(3)
M5	M5 (1)	(1)		
06	Rc1/8 (2)		(2)	
08	Rc1/4 (3)			(3)
Port	4(A), 2(B) port	Port P/R1/R2 (4) NPT = 1/8 (5) NPT = 1/4 (6) NPT = 3/8		
C3N	ø1/8" push-in fitting (4)	(4)		
C4N	ø5/32" push-in fitting (4)	(4)		
C6N	ø1/4" push-in fitting (5)		(5)	
C8N	ø5/16" push-in fitting (5) (6)		(5)	(6)
C10N	ø3/8" push-in fitting (6)			(6)
CL3N	ø1/8" push-in L-fitting upward *6 (4)	*6	(4)	
CL4N	ø5/32" push-in L-fitting upward *6 (4)	*6	(4)	
CL6N	ø1/4" push-in L-fitting upward *6 (5)	*6		(5)
CL8N	ø5/16" push-in L-fitting upward *6 (5) (6)	*6		(5)
CXN	Push-in fitting mix (4) (5) (6)	(4)	(5)	(6)
M5N	M5 (4)	(4)		
06N	NPT1/8 (5)		(5)	
08N	NPT1/4 *6 (6)	*6		(6)
Port	4(A), 2(B) port	Port P/R1/R2 (7) = G1/8 (8) = G1/4		
C4G	ø4 push-in fitting (7) (8)	(7)	(8)	
C6G	ø6 push-in fitting (7) (8)	(7)	(8)	
C8G	ø8 push-in fitting (8)		(8)	
CL4G	ø4 push-in L-fitting upward *6 (7)	*6	(7)	
CL6G	ø6 push-in L-fitting upward *6 (7) (8)	*6	(7)	(8)
CL8G	ø8 push-in L-fitting upward *6 (8)	*6		(8)
CXG	Push-in fitting mix (7) (8)	(7)	(8)	
M5G	M5 (7)	(7)		
06G	G1/8 (8)		(8)	
00	Discrete valve for integrated base ● ● ●			
<b>C Reduced wiring connection</b>				
T10	Common terminal block (M3 thread) Left-sided specifications			
T10R	Common terminal block (M3 thread) Right-sided specifications			
T11	Common terminal block (clamping) Left-sided specifications			
T11R	Common terminal block (clamping) Right-sided specifications			
T30	D-sub-connector Left-sided specifications			
T30R	D-sub-connector Right-sided specifications			
T50	20-pin flat cable connector (with common power supply terminal) Left-sided specifications			
T50R	20-pin flat cable connector (with common power supply terminal) Right-sided specifications			
T51	20-pin flat cable connector (no power supply terminal) Left-sided specifications			
T51R	20-pin flat cable connector (no power supply terminal) Right-sided specifications			
T52	10-pin flat cable connector (no power supply terminal) Left-sided specifications			
T52R	10-pin flat cable connector (no power supply terminal) Right-sided specifications			
T53	26-pin flat cable connector (no power supply terminal) Left-sided specifications			
T53R	26-pin flat cable connector (no power supply terminal) Right-sided specifications			
T56	20-pin flat cable connector (without power supply terminal) Left-sided specifications			
T81	For serial transmission device (adapter) station OPP7 connection (16-point output) Left-sided specifications			
T82	For serial transmission device (adapter) station OPP7 connection (32-point output) Left-sided specifications			
<b>D Option</b>				
Blank	No option			
K	External pilot			
F	Port A/B filter integrated *1			
<b>E Mount</b>				
Blank	Direct mount *2			
D	DIN rail mount *3			
<b>F Station No.</b>				
2	2 stations			
to	to			
20	Refer to the specifications page for the max. station number.			

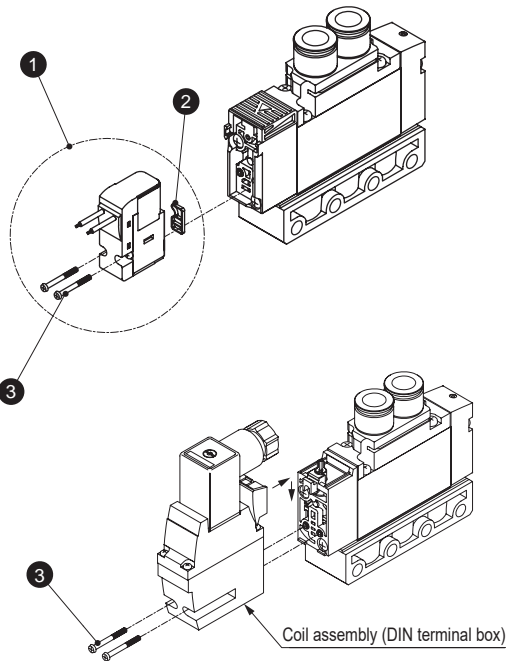
- 4GA/B
- M4GA/B
- MN4GA/B
- 4GA/B (master)
- 4GB With sensor
- 4GD/E
- M4GD/E
- MN4GD/E
- 4GA4/B4
- MN3E MN4E
- W4GA/B2
- W4GB4
- MN3S0 MN4S0
- 4SA/B0
- 4KA/B
- 4KA/B (master)
- 4F
- 4F (master)
- PV5G GMF
- PV5 GMF
- PV5S-0
- 3Q
- MV3QR
- 3MA/B0
- 3PA/B
- P/M/B
- NP/NAP NVP
- 4G\*0EJ
- 4F\*0EX
- 4F\*0E
- HMV HSV
- 2QV 3QV
- SKH
- Silencer
- TotAirSys (Total Air)
- TotAirSys (Gamma)
- Ending

# M4GA1 to 3/M4GB1 to 3 Series

Related parts

## Related parts

### (8) Coil assembly



### Coil assembly

No.	Part name	Model No.
1	Coil assembly	4GR-[electrical connections]-□-COIL-[voltage] □: Blank: Standard A: Ozone proof S: Surgeless *1 E: Low exoergic/energy circuit *1, *2 K: External pilot specifications E* : E-connector E*J : Socket with cover B* : DIN terminal box Blank: Grommet lead wire B includes the DIN terminal box

\*1: E2\* type and E2\*J type connectors support 12/24 VDC only.  
 In addition, surgeless "S" and low exoergic/energy circuit "E" cannot be selected together.

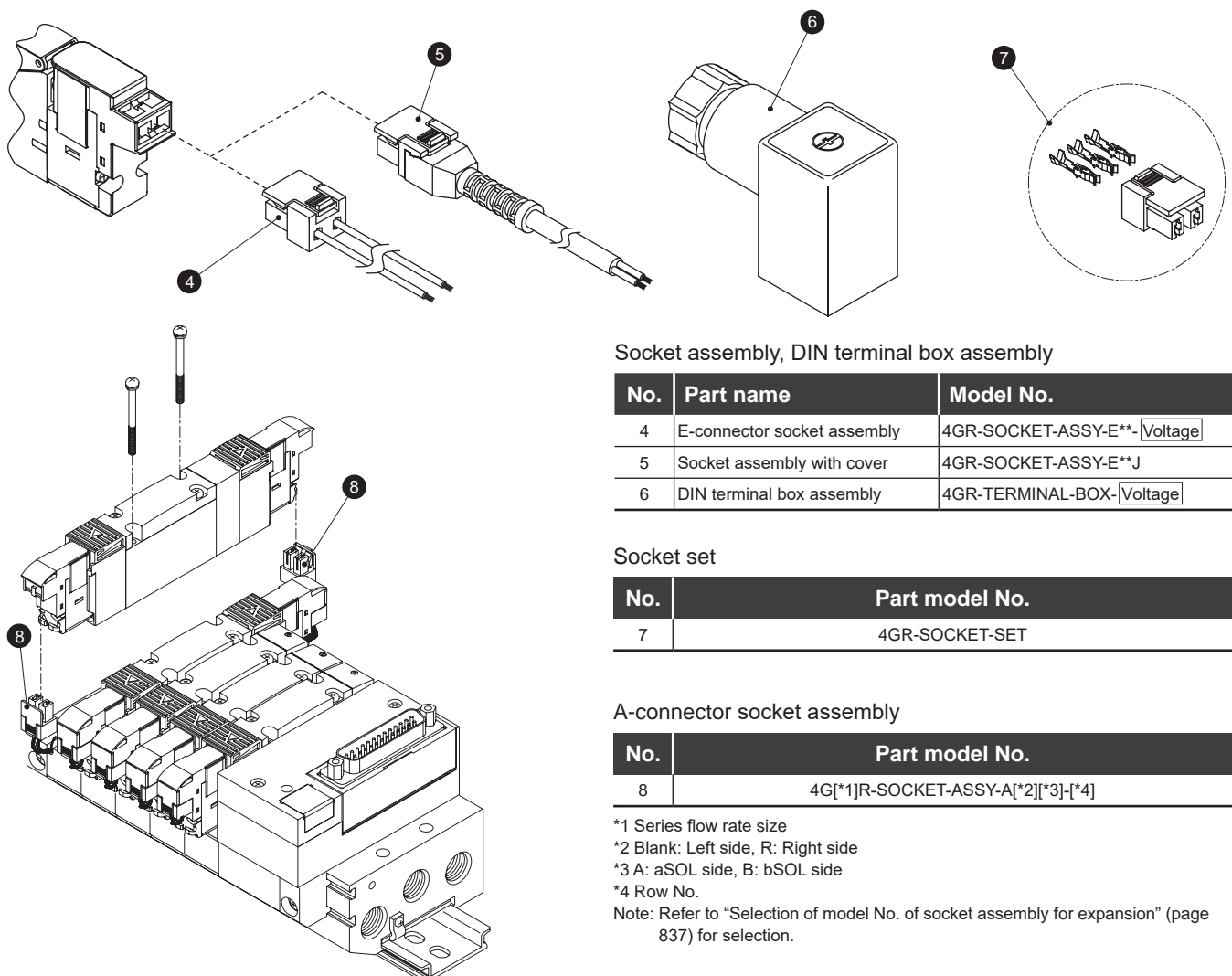
\*2: Surgeless specifications.

### Coil parts

No.	Part name	Part model No.
2	Coil gasket	4GR-COIL-GASKET
3	Mounting screw	4GR-COIL-SET-SCREW

Note) There is no compatibility between the DIN terminal box and other coil assemblies.

### (9) Lead wire related parts



### Socket assembly, DIN terminal box assembly

No.	Part name	Model No.
4	E-connector socket assembly	4GR-SOCKET-ASSY-E**-[Voltage]
5	Socket assembly with cover	4GR-SOCKET-ASSY-E**J
6	DIN terminal box assembly	4GR-TERMINAL-BOX-[Voltage]

### Socket set

No.	Part model No.
7	4GR-SOCKET-SET

### A-connector socket assembly

No.	Part model No.
8	4G[*1]R-SOCKET-ASSY-A[*2][*3]-[*4]

\*1 Series flow rate size

\*2 Blank: Left side, R: Right side

\*3 A: aSOL side, B: bSOL side

\*4 Row No.

Note: Refer to "Selection of model No. of socket assembly for expansion" (page 837) for selection.