

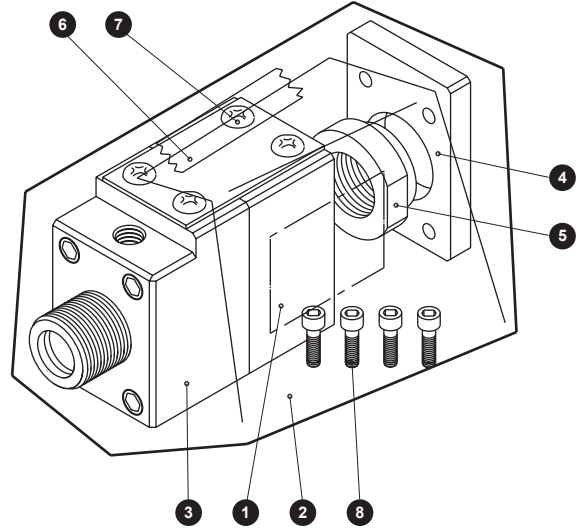
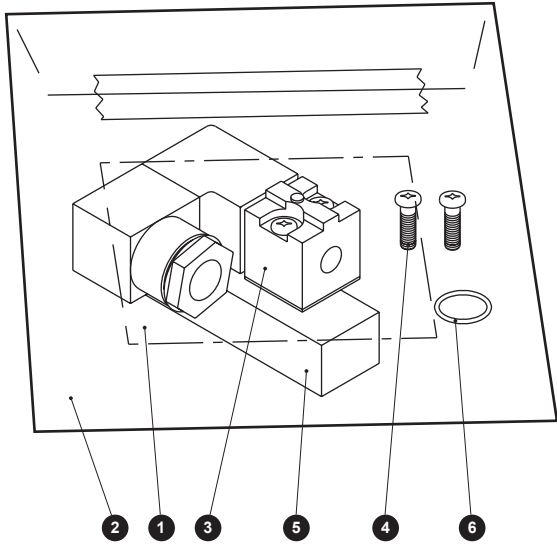
Configurations table

● Valve kit for brake

● Brake unit

ULK-V - Bore size - **VALVE-KIT** - Voltage

ULK - Bore size - **BRAKE-UNIT**



No.	Part name	Quantity
1	Label	1
2	Plastic bag or plastic sheets	1
3	Brake release valve	1
4	Cross-recessed pan head machine screw	2
5	Sub-plate	1
6	Gasket	1

No.	Part name	Quantity
1	Label	1
2	Plastic bag or plastic sheets	1
3	Brake assembly	1
4	Brake flange	1
5	Fixing nut	1
6	Cover	1
7	Cross-recessed pan head machine screw	4
8	Hexagon socket head cap screw	4