


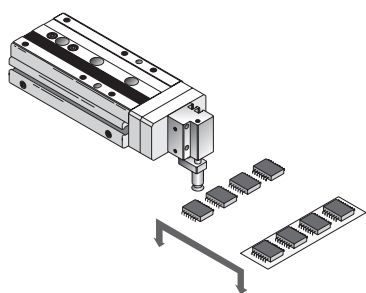
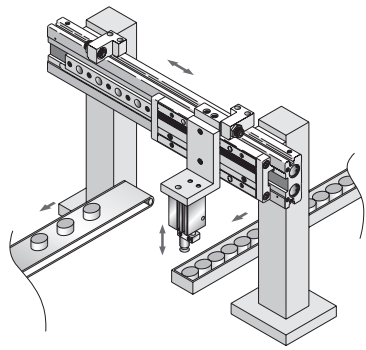
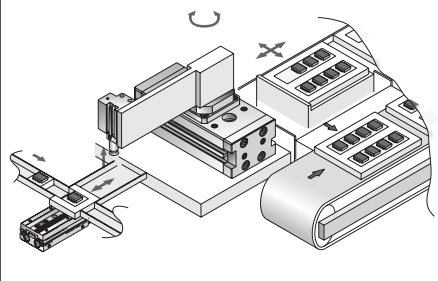
Series variation

Small cylinder with suction pad MVC Series

●: Standard, ◎: Option

Variation	Model No. JIS symbol	Bore size (mm)	Standard stroke (mm)						Min. stroke (mm)	Max. stroke (mm)	Pad				Option With buffer Switch	Page	
			5	10	15	20	25	30			Nitrile rubber	Urethane rubber	Silicone rubber	Fluoro rubber			
			(mm)	(mm)	P*A	P*A-U	P*A-SI	P*A-FKM			B						
Double acting/ single rod	MVC 	ø6/ø10	●	●	●	●	●	●	5	30	◎	◎	◎	◎	◎	◎	1374

Applications

<p>● Suction/transport of electronic parts</p> 	<p>● Transport system of small parts</p> 	<p>● Transport system of electronic parts</p> 
--	--	---

SCP*3

CMK2

CMA2

SCM

SCG

SCA2

SCS2

CKV2

CAV2/
COVP/N2

SSD2

SSG

SSD

CAT

MDC2

MVC

SMG

MSD/
MSDG

FC*

STK

SRL3

SRG3

SRM3

SRT3

MRL2

MRG2

SM-25

ShkAbs

FJ

FK

Spd
Contr

Ending