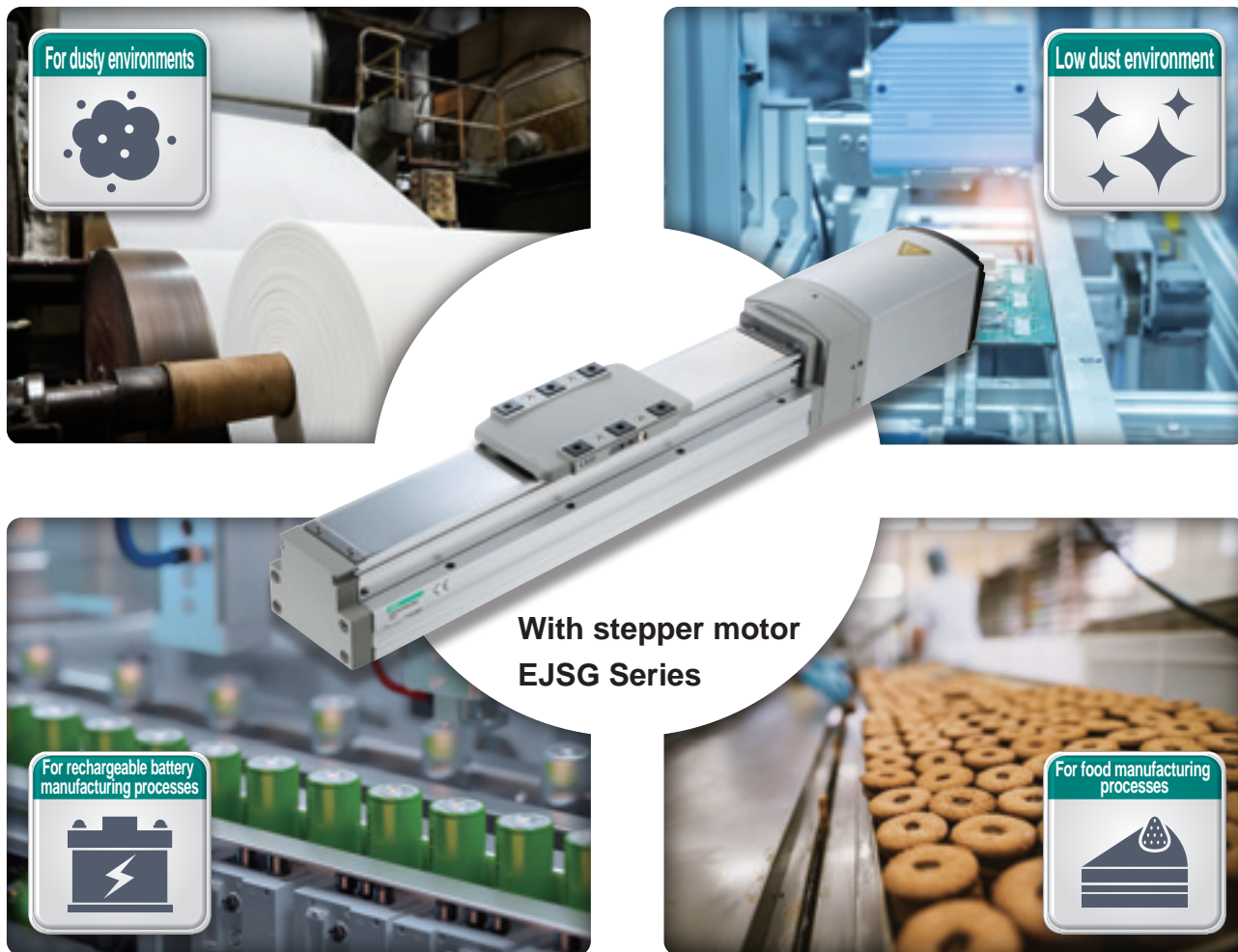


To be used safely in various environments and processes



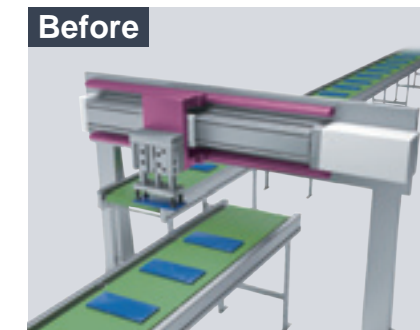
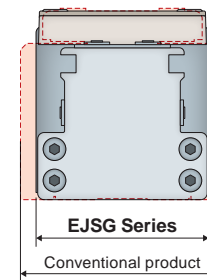
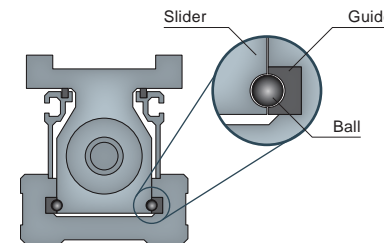
Five line-up products in pursuit of ease of use and high rigidity are available

Line-up	Size			Catalog Page
	04	05	08	
Actuator				
EJSG	●	●	●	1
Dust-proof EJSG-G	●	●	●	37
Low dust specification EJSG-C	●	●	●	55
Compatible with rechargeable battery manufacturing processes EJSG-P4	●	●	●	73
Supports food manufacturing processes EJSG-FP1	●	●	●	91
Applicable controller				
ECG-A	●	●	●	117

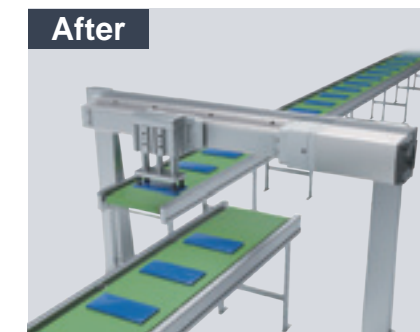
Compact body with high rigidity



An outer rail is used for the guide which supports loads. The wide guide is integrated with the body to achieve both high rigidity and space saving.



Uses an additional guide to reduce moment



Highly rigid body supports the moment, eliminating the need for an additional guide

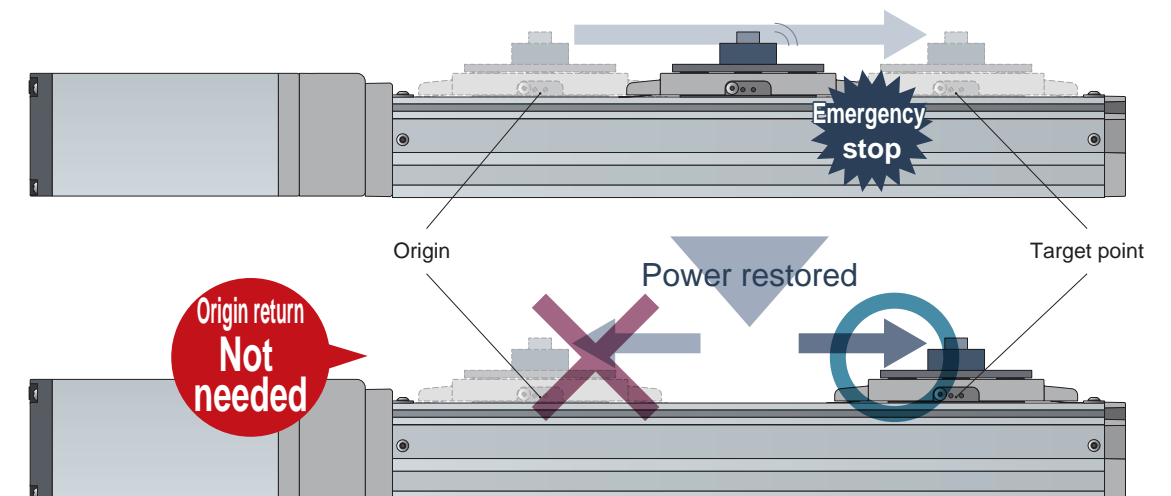
	Conventional product	EJSG-05
Body width	64 mm	54 mm
Static allowable moment	MP	25.7 N·m
	MY	25.7 N·m
	MR	58 N·m
		144 N·m

Battery-less absolute encoder



Equipped with an absolute encoder that retains current position information. As it uses a battery-less specification, there is no need to replace the battery.

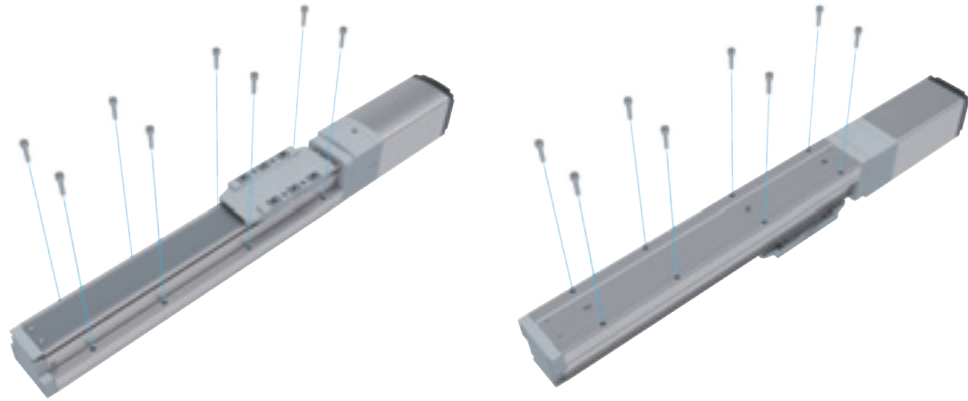
* All series with options



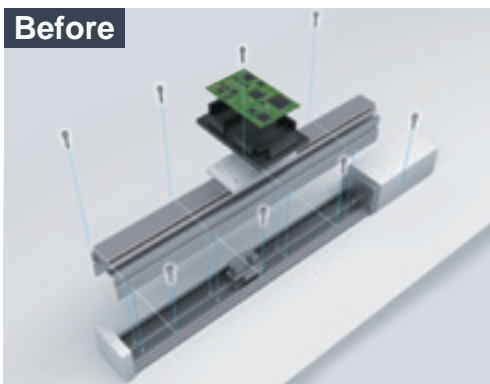
Mounting holes provided on top and bottom



The product structure allows direct installation from the top or bottom, without disassembly. This can save a significant amount of time, especially when installing from the top.

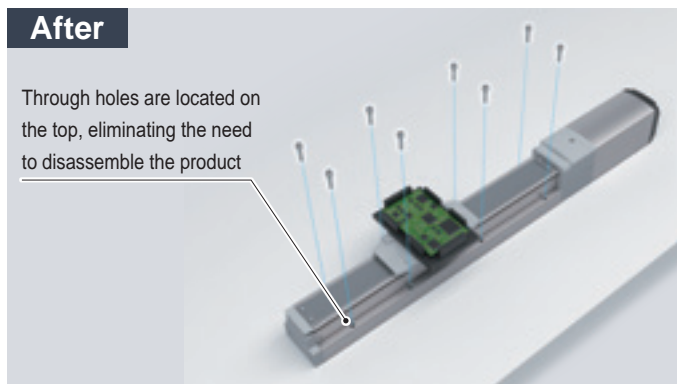


Before



Disassemble the body for top mounting

After



Top mounting without disassembly of body

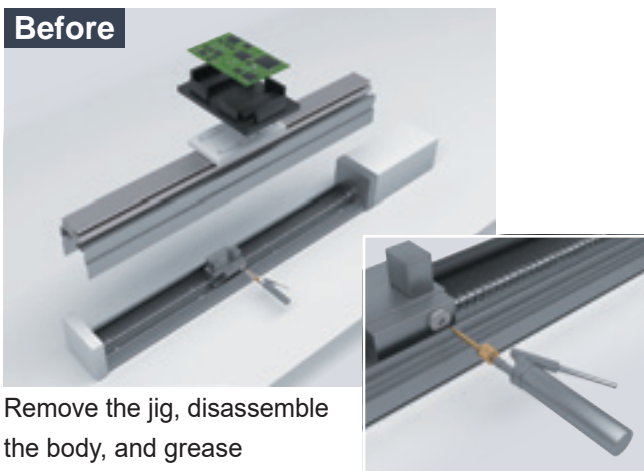
Through holes are located on the top, eliminating the need to disassemble the product

Equipped with an external grease lubrication port



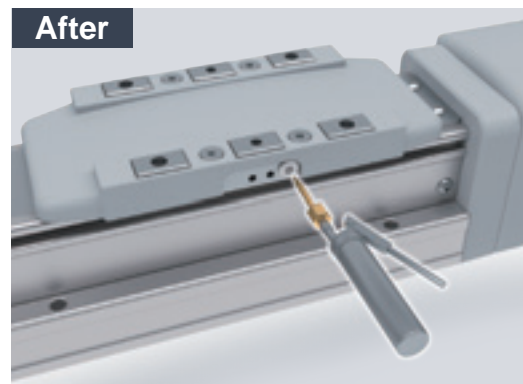
The product comes equipped with a lubrication port on both sides to allow direct lubrication from the exterior. Both the guide and ball screw can be maintained simply by lubricating from a single location, without disassembling the body.

Before



Remove the jig, disassemble the body, and grease

After

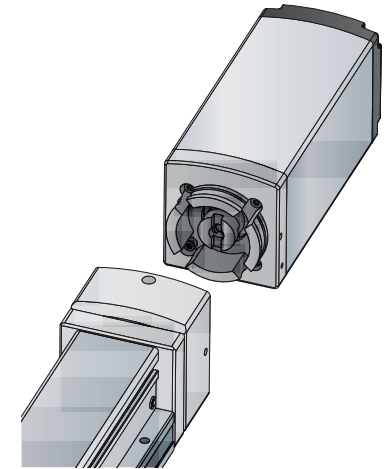


Direct lubrication from outside

Replaceable motor unit



Motor units can be replaced. Maintenance is easy.



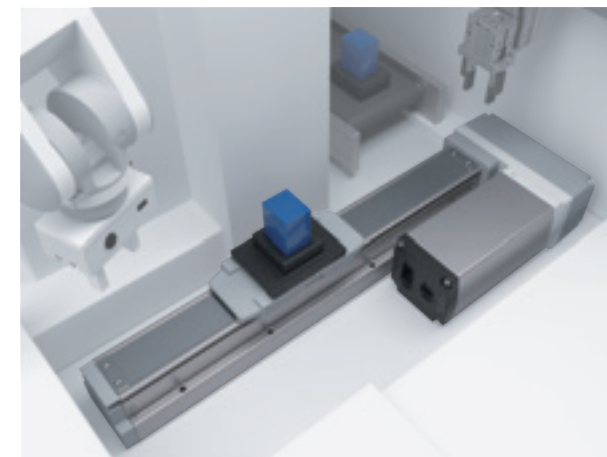
Available as made to order actuators



Consult with CKD if you have any problems with the actuator dimensions, etc.

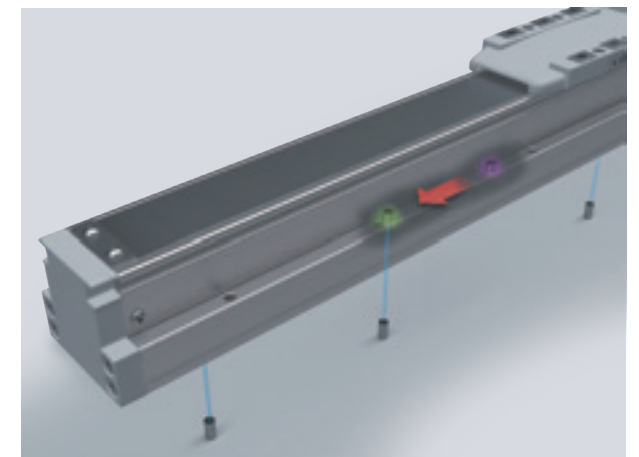
*Made-to-order product.

Custom Stroke *10mm increments



When using the product for limited space

Changing a machining hole position



When changing the positioning pin hole position

Applicable controller

ECG-A

Single axis controller that can control slider and rod actuators.



Electric actuator with long service life in dusty environments

EJSG-G Series (dust-proof specifications)



Pressurization port



IP50
Compatible

Connector cover



Long service life



Improved durability in dusty environments

Compatible with protection degree IP50. Durability in dusty environments has been greatly improved compared to standard products.

2x
or more
conventional

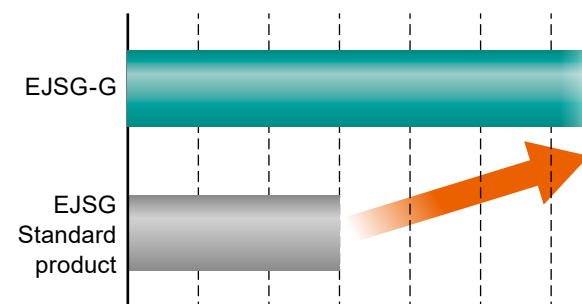


Running tests in dusty environments

[Test conditions]

	Item	Description
test Sample	Model No.	EJSG-05E100600NBN-VCN00-G
	Speed	400 mm/s
	Acceleration/deceleration	0.6G
	Purge flow rate	40NL/min
Environment	Dust material	Kanto-rohm (seven types)
	Dust diameter	75 μm
	Dust float	2kg/m ³

Travel distance



Electric actuator ideal for clean environments

EJSG-C Series (low dust specification)



Vacuum treatment port



Electric actuator ideal for rechargeable battery manufacturing processes

EJSG-P4 Series



Vacuum treatment port(Optional)



Limited copper material



Limited zinc material



Limited nickel-based material



Limited electrolytic nickel plating

The use above is limited in the sliding part configuration.
* Excluding motor, wiring, and connector parts.

Electric actuator ideal for food manufacturing processes

EJSG-FP1 Series



FP
Food Process™

Food grade
(NSF H1)
lubricant
used