

## Manual valve for process gas MGD<sub>2</sub>0V Series

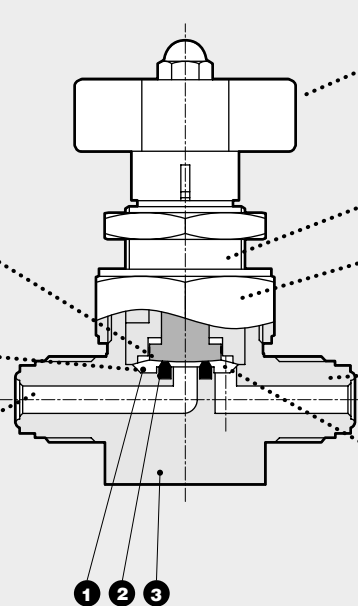
- Metal diaphragm
- 270° rotation type



Model No.	Cv flow factor	Model No.	Cv flow factor
MGD10V	Cv=0.26	MGD20V	Cv=0.6

## Manual valve incorporating basic air-operated valve performance

- Continuous use possible up to 80°C
- Zero particle generation realized with optimum seal structure and improved surface roughness
- Valve dead space minimized
- Electropolished finish specifications



- Handle shape ensures optimum inner sealing
- Panel installation possible
- Stopper prevents diaphragm damage from excessive tightening
- JXR joint connection \*1  
Standard (male and female) and double barbed joints
- High corrosion resistant Ni-Co alloy diaphragm

### Materials for wetted areas

No.	Parts name	Material
①	Diaphragm	Ni-Co alloy
②	Valve seat	PCTFE
③	Body	SUS316L

\*1: The JXR joint can be connected to the VCR joint.

### Specifications

Descriptions	MGD10V	MGD20V
Working fluid	Inert gas/process gas	
Working pressure range Pa(abs)-MPa	1.3×10 <sup>-6</sup> to 1.0	
Fluid temperature °C	-10 to 80	
Ambient temperature °C	-10 to 80	
Valve seat leakage Pa·m <sup>3</sup> /s(He)	1.3×10 <sup>-9</sup> or less	
External leakage Pa·m <sup>3</sup> /s(He)	2.8×10 <sup>-12</sup> or less	
Cv flow factor	0.26	0.6
Connection	1/4" JXR male joint 1/4" JXR female joint 1/4" double barbed joint	3/8" JXR male joint 3/8" JXR female joint 3/8" double barbed joint
Weight kg	0.29 *1	0.62 *1

\*1: Value for MGD10V-4RM (1/4-inch JXR male joint) and MGD20V-6RM (3/8-inch JXR male joint).

### Precautions

Always read page 9 in the introduction and pages 2 to 3 to ensure correct and safe use of this product.

### How to order

MGD10V - **4RM**

Model No.

**A** Connection

Symbol	Descriptions
<b>A Connection</b>	
<b>4RM</b>	1/4" JXR male joint
<b>4R</b>	1/4" JXR female joint
<b>4S</b>	1/4" double barbed joint

MGD20V - **6RM**

Model No.

**A** Connection

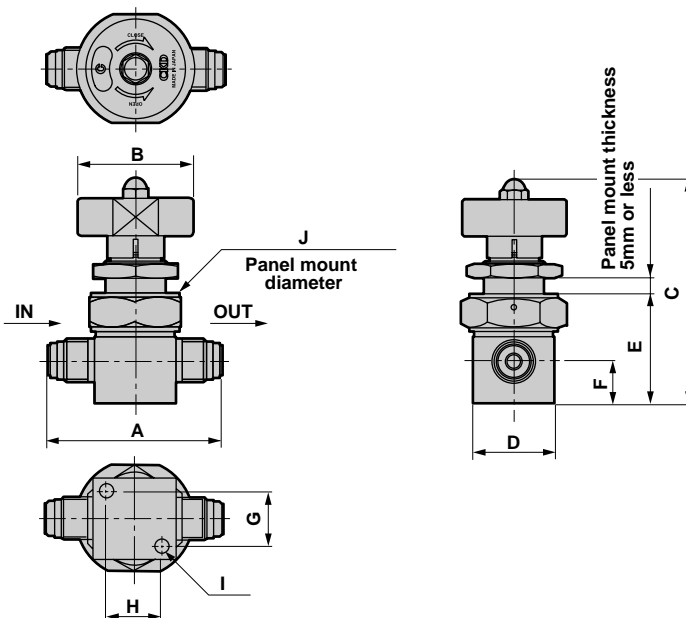
Symbol	Descriptions
<b>A Connection</b>	
<b>6RM</b>	3/8" JXR male joint
<b>6R</b>	3/8" JXR female joint
<b>6S</b>	3/8" double barbed joint

Note: The handle comes in standard silver and black, red, blue, and yellow  
Refer to Page 28 for the model no. (Dimensions are the same as following.).

### Dimensions

**MGD10V-4RM**  
**MGD20V-6RM**

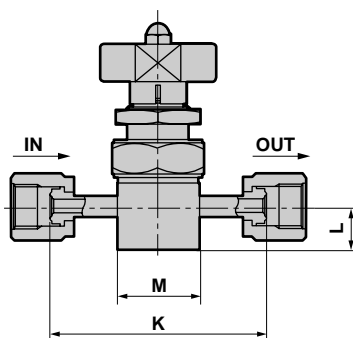
●JXR male joint



Model No. / Symbol	A	B	C	D	E	F	G	H	I	J
MGD10V-4RM	57	ø38	74	□27	36	14.3	18	18	2-M5 depth 6	ø20.5
MGD20V-6RM	76	ø38	86	□35	48	16	20.2	20.2	2-M5 depth 8	ø20.5

**MGD10V-4R**  
**MGD20V-6R**

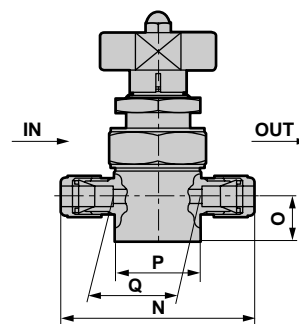
●JXR female joint



Model No. / Symbol	K	L	M
MGD10V-4R	70.6	14.3	□27
MGD20V-6R	83	16	□35

**MGD10V-4S**  
**MGD20V-6S**

●Double barbed joint



Model No. / Symbol	N	O	P	Q
MGD10V-4S	62	14.3	□27	27.8
MGD20V-6S	80	16	□35	44.3