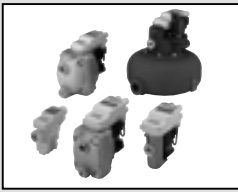


Discontinue

Automatic drain


DB1000 / DB3000 Series

Automatic drain using high reliable level sensor.

Port size: G1/2" to G1"

(For air compressor discharge flow rate 1.5 to 1000m³/min (ANR))

JIS symbol



Specifications

Descriptions		DB3002E-15 -AC200V	DB1006E-15 -AC200V	DB3006E-15 -AC200V	DB1024-15 -AC200V	DB3024-15 -AC200V	DB1090D-20 -AC200V	DB3090D-20 -AC200V	DB3700-20 -AC200V
Port size	Drain inlet	G1/2 "		G1/2 "		G1/2 "		G3/4 ", G1 "	
	Drain outlet	8mm hose joint or G1/4 "	10mm hose joint or G3/8 "		13mm hose joint or G1/2 "		13mm hose joint or G1/2 "		G1/2 "
	Treating air flow rate of applicable air compressor	m ³ /min(ANR)		1.5	4.5	20	90	1000	
	Treating air flow rate of applicable air dryer	m ³ /min(ANR)		3	9	40	180	2000	
	[References] capacity of air dryer (kW)	15		55	240	900	7000		
Working conditions	Working fluid	Drain in the compressed air							
	Ambient temperature	°C 1 to 60							
	Working pressure range	MPa 0.08 to 1.6		0.12 to 1.6	0.08 to 1.6	0.12 to 1.6	0.08 to 1.6	0.12 to 1.6	
Electrical specifications	Power supply	Single phase AC200V 50/60Hz							
	Max. power consumption	0.5VA		2.0VA					
	Alarm contact capacity	—		<AC250V/ <0.5A, > DC12V/> 50mA					
	Protection structure	IP65							
	Mass	kg 0.37	0.8		2.0		2.9		5.9
	Applicable air compressor type	Pre-lubricated type	Lubrication type	Pre-lubricated type	Lubrication type	Pre-lubricated type	Lubrication type	Pre-lubricated type	Pre-lubricated type

Note 1. G is parallel female thread, and can be connected to R thread.

Note 2. For drain outlet of DB3002E and DB1006E/3006E, use either hose joint or G1/4".

Also, G1/4" is parallel male thread.

Note 3. For drain outlet of DB1024/3024 and DB1090D/3090D, use hose joint or G1/2".

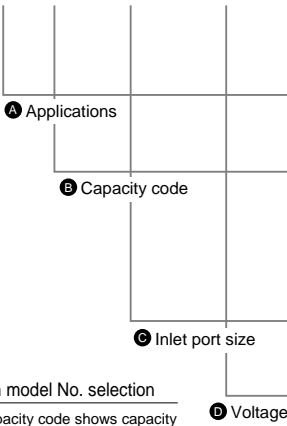
Also, G1/2" are parallel male thread.

Note 4. For inlet of DB3700, use G3/4" or G1".

Note 5. DB3000 series can be used for lubrication type compressor.

How to order

DB 1 090 - 20 - AC200V



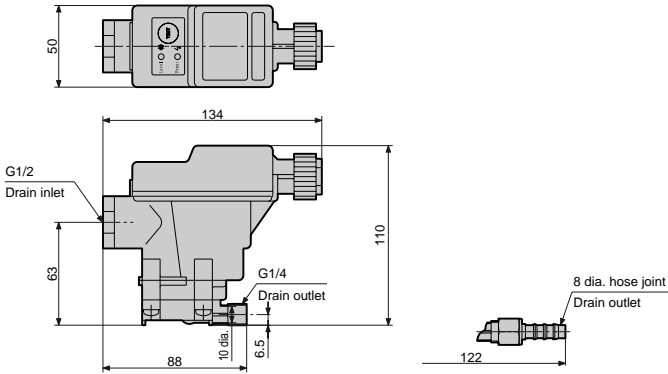
Symbol	Descriptions
A Applications	
1	Lubrication type compressor
3	Oil-free type compressor
B Capacity code	
002E	15kW or less
006E	55kW or less
024	240kW or less
090D	900kW or less
700	7000kW or less
C Inlet port size	
15	G1/2 "
20	G3/4 "
D Voltage	
	AC200V

⚠ Note on model No. selection

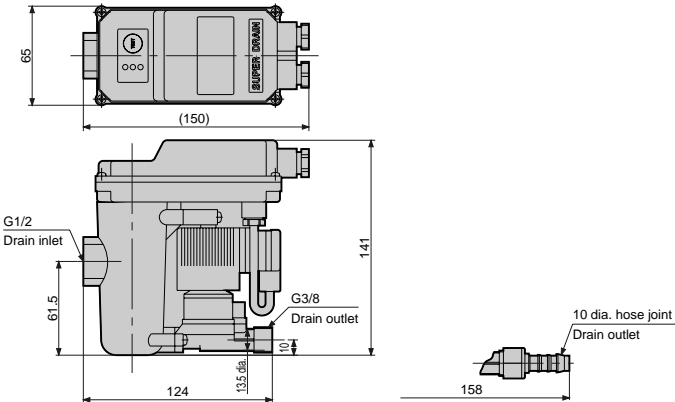
Note 1: Capacity code shows capacity of air dryer.

Dimensions

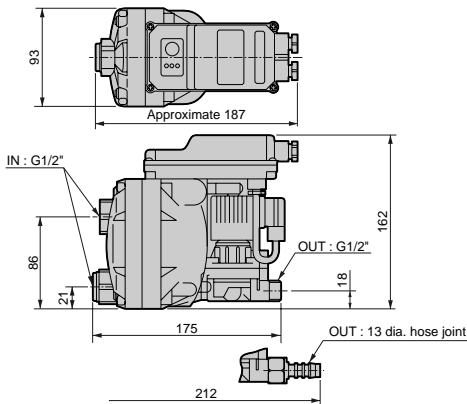
- DB3002E-15



- DB1006E-15 / DB3006E-15



- DB1024-15 / DB3024-15

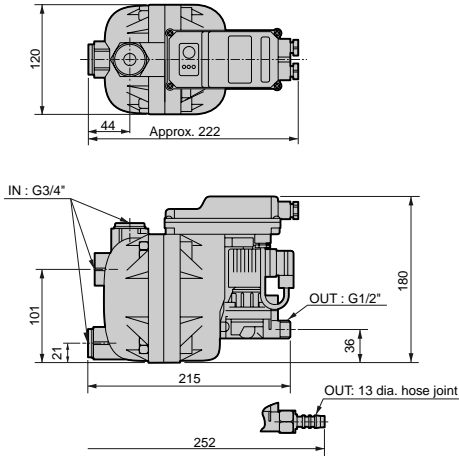


Refrigerating type dryer
Desiccant type dryer
High polymer membrane dryer
Air filter
Automatic drain other
F.R.L (Module)
F.R.L (Separate)
Small F.R.
Precise R.
Electro pneumatic R.
Auxiliary
Flow control valve
Silencer
Check valve / others
Joint / tube
Vacuum F.
Vacuum R.
Vacuum generator
Vacuum auxiliary / pad
Mechanical pressure SW
Electronic pressure SW
Electronic dif. pres. SW
Seating / close contact conf. SW
Pressure SW for coolant
Flow sensor for air
Total air system
Water cooling refrigerator
Flow sensor for water

Main line unit
Automatic drain

Dimensions

- DB1090D-20 / DB3090D-20



- DB3700-20

