

# W4G4 Series Spacer type regulator

New Product

## W4G4 Series spacer type regulator added!!



### Overview

- Integrated manifold.
- Depressurization of individual valves.

### Main features

- Use to drive cylinder with different pressures. (SR-P)
- Use to adjust cylinder thrust. (SR-A, SR-B)

### Specifications

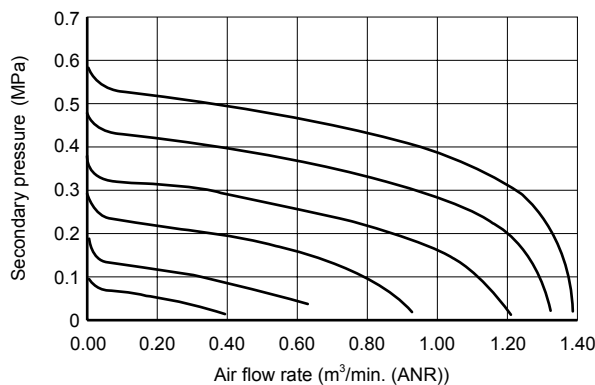
Spacer type regulator		W4G4-SR		
Decompression port		P	A	B
Max. working pressure	MPa	0.8		
Set pressure range	MPa	0.2 to 0.65		
Effective sectional area	mm <sup>2</sup>	14 Note 1		
Weight (g)		460		

Note 1: Values when primary pressure is set to 0.7 MPa and secondary pressure is set (depressurized) to 0.5 MPa.

### Flow characteristics

Condition of primary side pressure: 0.7 MPa

- W4G4-SR-A

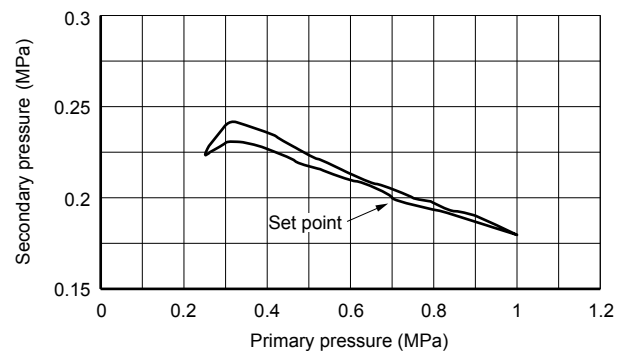


### Pressure characteristics

Condition of primary side pressure: 0.7 MPa

secondary pressure: 0.2 MPa

flow rate: 25 l/min. (ANR)



⚠ Refer to the precautions in handling manual and latest "Pneumatic valves" (catalog No. CB-023SA) before operating.

**CKD Corporation**

CC-914A

## How to order

- Discrete spacer type regulator model No.

### W4G4-SR-P

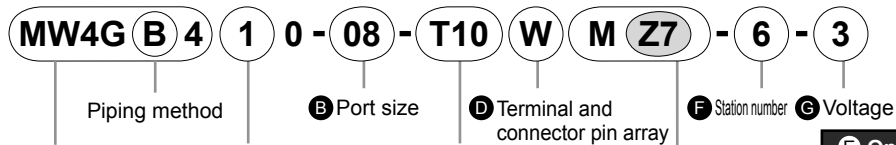
- Decompression port position

Symbol	Descriptions
<b>A</b>	<b>Decompression port position</b>
P	P port
A	A port
B	B port

\* Model No. \_\_\_\_\_

Only optional models, including the spacer regulator, that have been added as new are listed in this catalog.  
Refer to "Pneumatic valves" (catalog No. CB-023SA) for the details.

- Manifold model no.



Model No.    A Solenoid position    C Wiring method

E Option

E Option	
M	Non-locking (standard)
M7	Lock with pilot air OFF
Z1	Air supply spacer Note 2
Z3	Exhaust spacer Note 2
Z7	Spacer type regulator Note 1, 2
K	External pilot
A	Coolant proof
F	A/B port filter

## Note on model No. selection

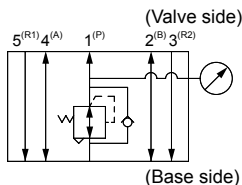
Note 1: Refer to manifold specifications given in "Plug-in Manifold W4G4 Series (Catalog No. CC-845A)" for details on the spacer regulator mounting position and quantity.

Note 2: The stacked assembly of the spacer is available as a special order.

## Dimensions

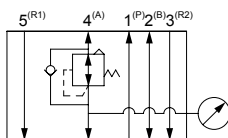
- W4G4-SR-P

(P port decompression)



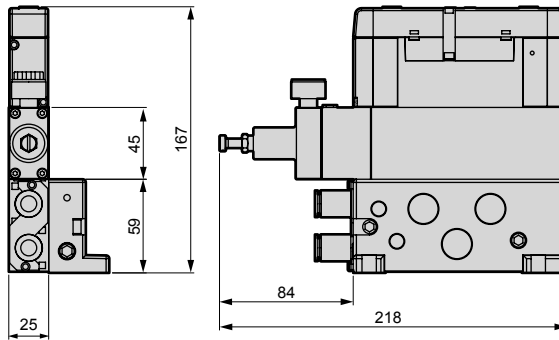
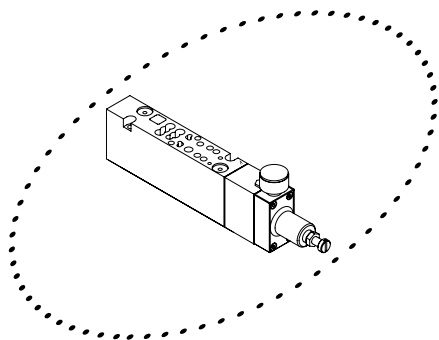
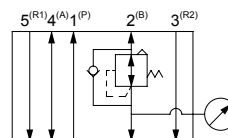
- W4G4-SR-A

(A port decompression)



- W4G4-SR-B

(B port decompression)



## Safety precautions

Refer to the precautions in handling manual and latest "Pneumatic valves" (catalog No. CB-023SA) before operating.

## CAUTION

### Installation & Adjustment

- After adjusting pressure, tighten and fix the hexagon nut to prevent the adjust screw from loosening.

本製品及び関連技術を輸出される場合は、兵器・武器関連用途に使用されるおそれのないよう、ご注意ください。  
If the goods and their replicas, or the technology and software in this catalog are to be exported, laws require the exporter to make sure they will never be used for the development or the manufacture of weapons for mass destruction.

## CKD Corporation

<Website>  
<http://www.ckd.co.jp/>

本社・工場  
営業本部  
Overseas Sales dept.  
東京支店  
名古屋支店  
大阪支店

〒485-8551 愛知県小牧市応時2-250  
〒485-8551 愛知県小牧市応時2-250  
2-250 Uji Komaki Aichi 485-8551, Japan  
〒105-0013 東京都港区浜松町1-3-1 (文化放送メディアプラス4階)  
〒485-8551 愛知県小牧市応時2-250  
〒550-0001 大阪府西区土佐堀1-3-20

TEL(0568)77-1111 FAX(0568)77-1123  
TEL(0568)74-1303 FAX(0568)77-3410  
TEL(0568)74-1338 FAX(0568)77-3461  
TEL(03)5402-3620 FAX(03)5402-0120  
TEL(0568)74-1356 FAX(0568)77-3317  
TEL(06)6459-5770 FAX(06)6446-1945

- このカタログに掲載の仕様および外観を、改善のため予告なく変更することがあります。
- Specifications are subject to change without notice.